



JWDP-17 VARIABLE SPEED DRILL PRESS

JR035..... 1 ~230V 50Hz

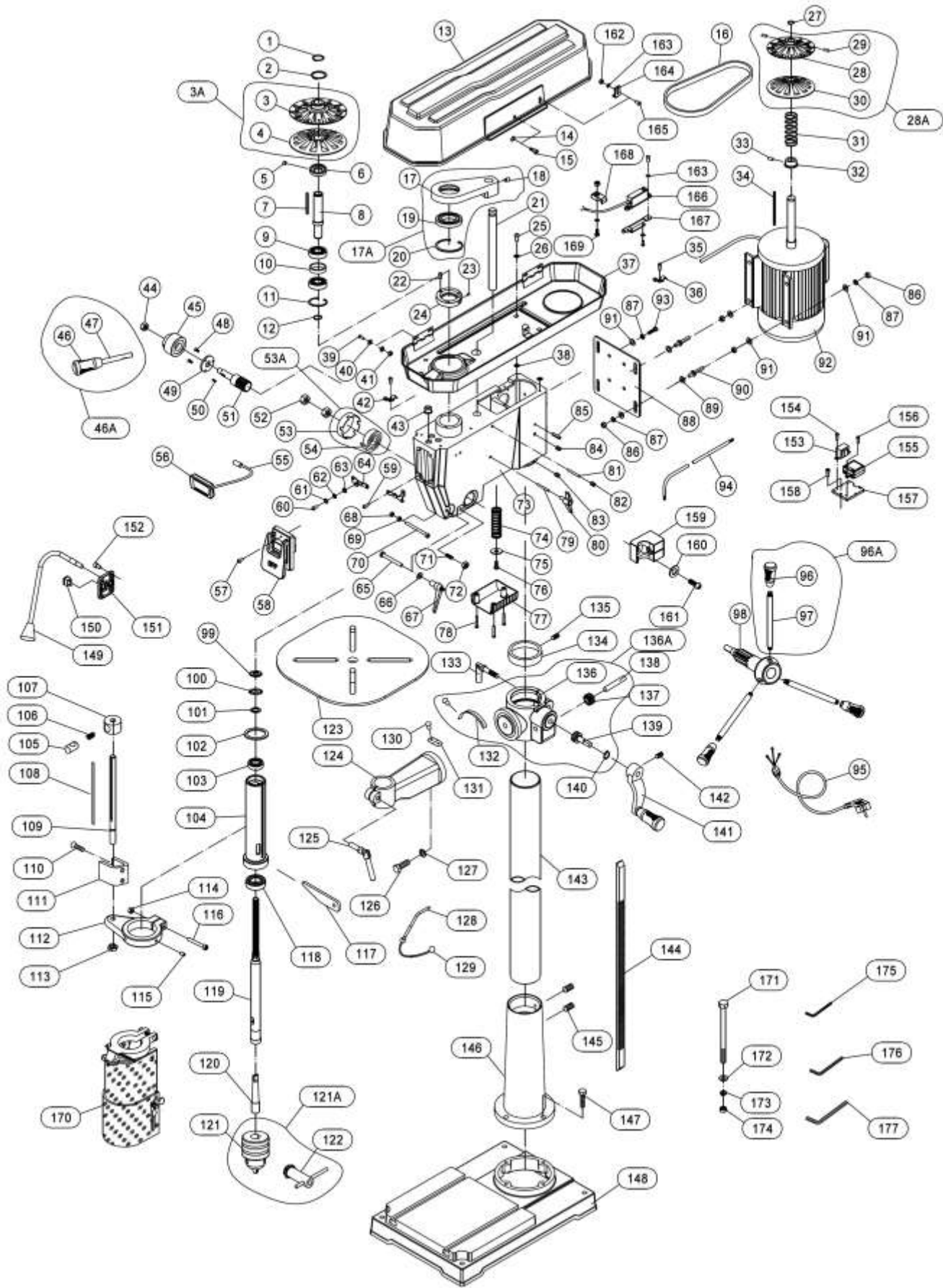
PARTS LIST



Импортер в РФ: ООО «ИТА Технолоджи»
105082, Москва, Переведеновский пер., д. 17
www.jettools.ru
Made in PRC / Сделано в КНР

P-JR035 2026-01

Parts Breakdown for JWDP-17 Variable Speed Drill Press



Parts List for JWDP-17 Variable Speed Drill Press

Index No.	Part No.	Description	Size	Qty
1	GB/T 894	Retaining Ring	Φ24	1
2	GB/T 894	Retaining Ring	Φ40	1
3A	JWDP17-003A	Spindle Pulley Assembly(#3,#4)		1
3	JWDP17-003	Upper Spindle Pulley		1
4	JWDP17-004	Lower Spindle Pulley		1
5	JWDP17-005	Magnet	Φ6X3	1
6	JWDP17-006	Magnet Seat (Include #5)		1
7	GB/T 1096	Key	4x72	1
8	JWDP17-008	Sleeve		1
9	GB/T 276	Ball Bearing	6205-2RS	2
10	JWDP17-010	Spacer		1
11	GB/T 893	Retaining Ring	Φ52	1
12	GB/T 894	Retaining Ring	Φ20	1
13	JWDP17-013	Upper Belt Cover		1
14	GB/T896	Retaining Ring	6	1
15	JWDP17-015	Socket Head Screw		1
16	JWDP17-016	V Belt	1175	1
17A	JWDP17-017A	Pulley Conneting Assembly (#17~#20)		1
17	JWDP17-017	Pulley Conneting Plate		1
18	GB/T 80	Socket Set Screw	M8x12	1
19	GB/T 276	Ball Bearing	16008-2RS	1
20	GB/T 893	Retaining Ring	Φ68	1
21	JWDP17-021	Rack shaft		1
22	GB/T 818	Pan head machine screw	M4X10	3
23	GB/T 80	Socket Set screw	M5×6	1
24	JWDP17-024	Bearing coer plate		1
25	GB/T 818	Pan head machine screw	M6x12	6
26	GB/T 96.2	Flat washer	6mm	6
27	GB/T 894	Retaining ring	Φ16	1
28A	JWDP17-028A	Motor Pulley Assembly (#28,#29,#30)		1
28	JWDP17-028	Upper motor pulley		1
29	GB/T 80	Socket Set screw	M6x10	2
30	JWDP17-030	Lower motor pulley		1
31	JWDP17-031	Spring		1
32	JWDP17-032	Spring case		1
33	GB/T 80	Socket Set screw	M6x6	1
34	GB/T 1096	Key	4x98	1
35	GB/T 70.1	Socket head cap screw	M5x12	1
36	JWDP17-036	Cord clamp		1
37	JWDP17-037	Lower belt cover		1
38	JWDP17-038	Rubber washer	Φ6XΦ15X2	6
39	GB/T 818	Pan head Machine screw	M4x10	4
40	GB/T 96.2	Flat washer	Φ4	4
41	GB/T 41	Hex nut	M4	4
42	JWDP17-042	Cord Clamp		1
43	JWDP17-043	Rubber Bushing		3
44	GB/T 889.1	Lock Nut	M12	1
45	JWDP17-045	Handle Case		1
46A	JWDP17-046A	Handle Assembly (#46, #47)		1
46	JWDP17-046	Handle Cap		1

Parts List for JWDP-17 Variable Speed Drill Press

Index No.	Part No.	Description	Size	Q'ty
47	JWDP17-047	Handle		1
48	GB/T 819.1	Flat Head Machine Screw	M5X16	3
49	JWDP17-049	Bushing Plate		1
50	JWDP17-050	Key	4x10	1
51	JWDP17-051	Gear Shaft		1
52	GB/T 6172.1	Hex Nut	M12	2
53A	JWDP17-053A	Spring Assembly (#53,#54)		1
53	JWDP17-053	Spring Cover	Φ13	1
54	JWDP17-054	Quill Return Spring		1
55	JWDP17-055	Speed Sensor		1
56	JWDP17-056	Speed Display		1
57	GB/T 818	Pan Head Cap Screw	M4X20	2
58	JWDP17-056	Switch	KJD17	1
59	GB/T 818	Pan Head Cap Screw	M5x10	4
60	GB/T 818	Pan Head Cap Screw	M5x10	2
61	GB/T 93	Lock Washer	Φ5	2
62	GB/T 95	Flat Washer	Φ5	2
63	GB/T 862.1	Serreted Washer	Φ5	2
64	JWDP17-64	Switch Fixed Plate		2
65	GB/T 5781	Hex Cap Screwt	M8x70	1
66	GB/T 95	Flat Washer	Φ8	1
67	JWDP17-067	Locking Handle		1
68	JWDP17-068	Hex Head Nut M6x10		1
69	JWDP17-069	Hex Nut (3.2mm)		1
70	GB/T 70.1	Hex Scotket Head Cap Screw	M6x80	1
71	JWDP17-071	Screw		1
72	JWDP17-072	Hex Nut	M10	1
73	JWDP17-073	Head		1
74	JWDP17-074	Spring		1
75	GB/T 96.2	Flat Washer	Φ10	1
76	GB/T 5781	Hex Cap Screw	M10×16	1
77	JWDP17-077	Plastic Cover		1
78	GB/T 818	Pan Head Machine Screw	M5x35	3
79	GB/T 119.1	Pin	4×28	1
80	JWDP17-080	Knob		1
81	GB/T 119.1	Pin	5x35	1
82	GB/T 80	Socket Set Screw	M8x12	1
83	GB/T 80	Socket Set Screw	M10x15	1
84	GB/T 80	Socket Set Screw	M10x20	1
85	GB/T 879.2	Spring Pin	Φ6x24mm	2
86	GB/T 41	Hex Nut	M8	12
87	GB/T 93	Lock Washer	Φ8	12
88	JWDP17-088	Motor Mounting Plate		1
89	GB/T 96.2	Flat Washer	Φ8	8
90	JWDP17-090	Screw		4
91	GB/T 95	Flat Washer	Φ8	12
92	JWDP17-092	Motor		1
93	GB/T 5781	Hex Cap Screw	M8x20	4

Parts List for JWDP-17 Variable Speed Drill Press

Index No.	Part No.	Description	Size	Q'ty
94	JWDP17-094	Inner Cord		1
95	JWDP17-095	Power Cord		1
96A	JWDP17-096A	Handle Assembly (#96,#97)		3
96	JWDP17-096	Handle Cap		3
97	JWDP17-097	Handle		3
98	JWDP17-098	Handle Case		1
99	JWDP17-099	Nut		1
100	JWDP17-100	Serreted Washer		1
101	JWDP17-101	Washer	Φ17.5	1
102	JWDP17-102	Rubber Washer		1
103	GB/T 276	Ball Bearing	6203-2RS	1
104	JWDP17-104	Quill		1
105	JWDP17-105	Button Nut		1
106	JWDP17-106	Spring		1
107	JWDP17-107	Depth Limiting Nut		1
108	JWDP17-108	Depth Scale		1
109	JWDP17-109	Depth Screw		1
110	GB/T 819.1	Flat Head Machine Screw	M6x12	2
111	JWDP17-111	Limiting Plate		1
112	JWDP17-112	Quill Connecting Plate		1
113	GB/T 889.1	Lock Nut	M12	1
114	GB/T 41	Hex Nut	M6	1
115	GB/T 80	Socket Set Screw	M6x12	1
116	GB/T 70.1	Hex Scket Head Cap Screw	M6x45	1
117	JWDP17-117	Chuck Remove Tool		1
118	GB/T 276	Ball Bearing	6205-2RS	1
119	JWDP17-119	Spindle		1
120	JWDP17-120	Arbor	MT2/B18	1
121A	JWDP17-121A	Chuck Assembly (#121,#122)		1
121	JWDP17-121	Chuck		1
122	JWDP17-122	Chuck Key		1
123	JWDP17-123	Table		1
124	JWDP17-124	Table Support		1
125	JWDP17-125	Locking Lever		1
126	GB/T 5781	Hex Cap Screw	M16X40	1
127	GB/T 93	Lock Washer	16	1
128	JWDP17-128	Pin		1
129	JWDP17-129	Chain		1
130	JWDP17-130	Rivet	Φ2.5x6	4
131	JWDP17-131	Angle Pointer		1
132	JWDP17-132	Angle Scale		1
133	JWDP17-133	Locking Lever		1
134	JWDP17-134	Column Collar		1
135	GB/T 80	Socket Set Screw	M6x8	1
136A	JWDP17-136A	Table Support Bracket Assembly (#132,#136~#140)		1
136	JWDP17-136	Table Support Bracket		1
137	JWDP17-137	Gear		1
138	JWDP17-138	Pin		1
139	JWDP17-139	Worm Gear		1

Parts List for JWDP-17 Variable Speed Drill Press

Index No.	Part No.	Description	Size	Q'ty
140	GB/T 894	Retaining Ring	Φ14	1
141	JWDP17-141	Crank Handle		1
142	GB/T 80	Socket Set Screw	M8x10	1
143	JWDP17-143	Column		1
144	JWDP17-144	Rack	810mm	1
145	GB/T 80	Socket Set Screw	M8x10	2
146	JWDP17-146	Column Support		1
147	GB/T 5781	Hex Cap Screw	M10x30	4
148	JWDP17-148	Base		1
149	JWDP17-149	Led Work Light		1
150	JWDP17-150	Led Switch		1
151	JWDP17-151	Light Mounting Plate		1
152	GB/T 70.1	Hex Scket Head Cap Screw	M5x10	4
153	JWDP17-153	Transformer		
154	GB/T 845	Self Tapping Screw	ST2.9X6.5	2
155	JWDP17-155	Led Driver	LED	1
156	GB/T 845	Self Tapping Screw	ST3.5X9.5	2
157	JWDP17-157	Support Plate		1
158	GB/T 70.1	Hex Scket Head Cap Screw	M5X12	1
159	JWDP17-159	Chuck Key Seat		1
160	GB/T 96.2	Flat Washer	Φ5	1
161	GB/T 818	Pan Head Machine Screw	M5×10	1
162	GB/T 41	Hex Nut	M5	3
163	GB/T 95	Flat Washer	Φ5	7
164	JWDP17-164	Trigger		1
165	GB/T 818	Pan Head Machine Screw	M5×12	6
166	JWDP17-166	Micro Switch Assembly		1
167	JWDP17-167	Support Plate		1
168	JWDP17-168	Cord Clamp		1
169	GB/T 818	Pan Head Machine Screw	M5×16	1
170	JWDP17-170	Chuck Guard Assembly	65mm	1
171	GB/T 5781	Hex Cap Screw	M8x120	4
172	GB/T 96.2	Flat Washer	Φ8	8
173	GB/T 93	Lock Washer	Φ8	4
174	GB/T 41	Hex Nut	M8	4
175	JWDP17-175	Hex Wrench	3mm	1
176	JWDP17-176	Hex Wrench	4mm	1
177	JWDP17-177	Hex Wrench	5mm	1
	JWDP17-WL	JET Warning Label (Not shown)		1
	JWDP17-ID	JET ID Label (Not shown)		1
	JWDP17-ML	JET Motor Label (Not shown)		1
	JET-LOGO	JET Logo with Adhesive (Not shown)		1
	JET Model Logo	JET Model Logo with Adhesive		1

Wiring Diagram for JWDP-17 Variable Speed Drill Press

	colour of strands	Litzenfarben	couleur des cordons
BK	black	schwarz	noir
WH	white	weiß	blanc
BU	blue	blau	bleu
YE	yellow	gelb	jaune
RD	red	rot	rouge
BN	brown	braun	brun
GY	grey	grau	gris
GNYE	green-yellow	grün-gelb	vert-jaune
OG	orange	orange	orange
VT	violet	violett	violet

	meaning of symbol	Bedeutung der Zeichen	interprétation
M	motor	Motor	moteur
S	switch	Schalter	interrupteur
C	condenser	Kondensator	condensateur
E	electronic unit	Elektronik Einheit	unité électronique
F	fuse	Sicherung	fusible
RS	reversing switch	Drehrichtungsschalter	commu. droite/gauche
CS	centrifugal switch	Fliehkraftschalter	déclencheur centrifuge
OL	overload cut-off	Überlastschutzschalter	déclencheur surcharge
L	machine lamp	Maschinenleuchte	lampe
LS	limit switch	Positionsendschalter	micro

JR035..... ~ 230V, 50Hz

