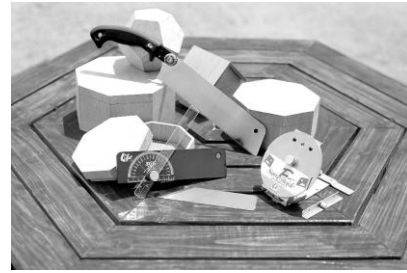


Oh, did you make these?

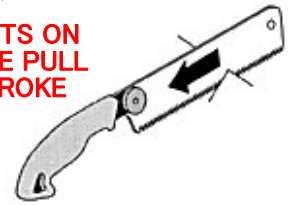


These are actually made by using Z-SAW UNIVERSAL S-265 & Saw Guide, Free Angle.

Z-SAW UNIVERSAL S-265

THIS SAW IS SPECIALLY DESIGNED AND PRODUCED TO BE USED WITH SAW GUIDE-FREE ANGLE AND SAW GUIDE.

CUTS ON THE PULL STROKE

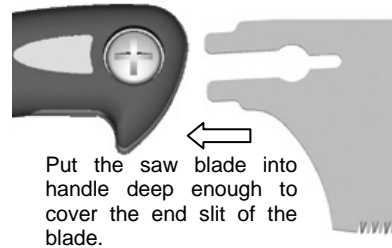


supplied with blade guard

Model: 265

Type	Medium-Fine
Overall Length	420mm(16-1/2")
Blade Length	265mm(10-1/2")
Blade Thickness	0.60mm(0.024")
Kerf	0.92mm(0.037")
Pitch	14TPI

Cutting on the pull-stroke prevents blade from buckling and binding, allows blade to be thin. The thinner blade removes less material, makes sawing easier, faster and more accurate!



Put the saw blade into handle deep enough to cover the end slit of the blade.

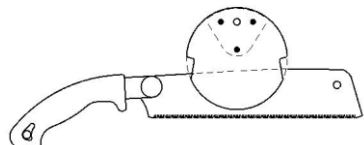
ADVANTAGES OF Z-SAW UNIVERSAL S-265

- HIGH QUALITY SAW BLADE IS DURABLE, FLEXIBLE AND RUST RESISTANT.
- SPECIAL CUTTING EDGE DESIGNED FOR RIP, CROSS & SLANT CUTS.
- EASY & QUICK BLADE REPLACEMENT STYLE (Convenient for tool box storage).

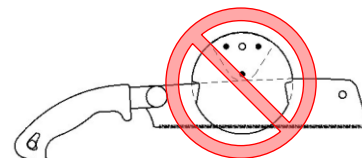
Thank you for your purchase of Saw Guide Free Angle. Please read this instruction carefully and keep it in good condition.

Caution

- Do not tighten screw too strong. It may damage hex screw or T-shape hex wrench.
- Teeth should always stay out of the saw guide plate. Otherwise teeth edge will be damaged by insides of saw guide plate. **See pictures right** →
- Do not tighten the knob too strong. It may be damaged.
- Wear safety goggles.



Teeth edges should always stay out of the saw guide plates.



Teeth edges touch inside of saw guide plates.

Notice

- Specification may change without notice to improve quality.
- The copyright belongs to Okada Hardware Manufacturing Company Limited.

Okada Hardware Mfg.Co.,Ltd.
561 Omura, Miki-shi, Hyogo, Japan 673-0404
TEL: 81-794-83-1111 / FAX: 81-794-83-5111
URL: <http://www.z-saw.co.jp/en> E-mail: webmaster@z-saw.co.jp

TFE200508A

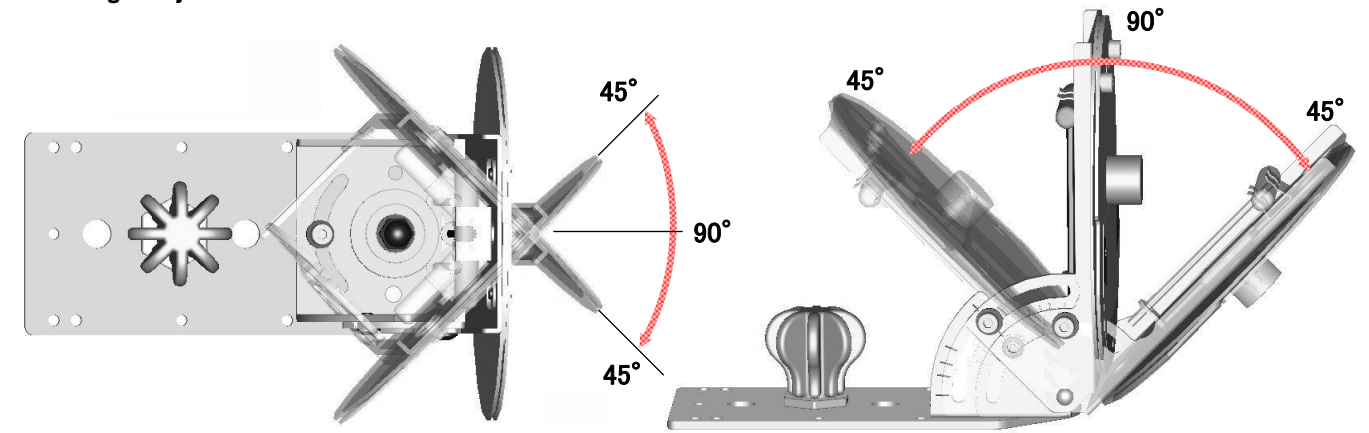
Z Saw Saw Guide, Free Angle

Instruction Sheet

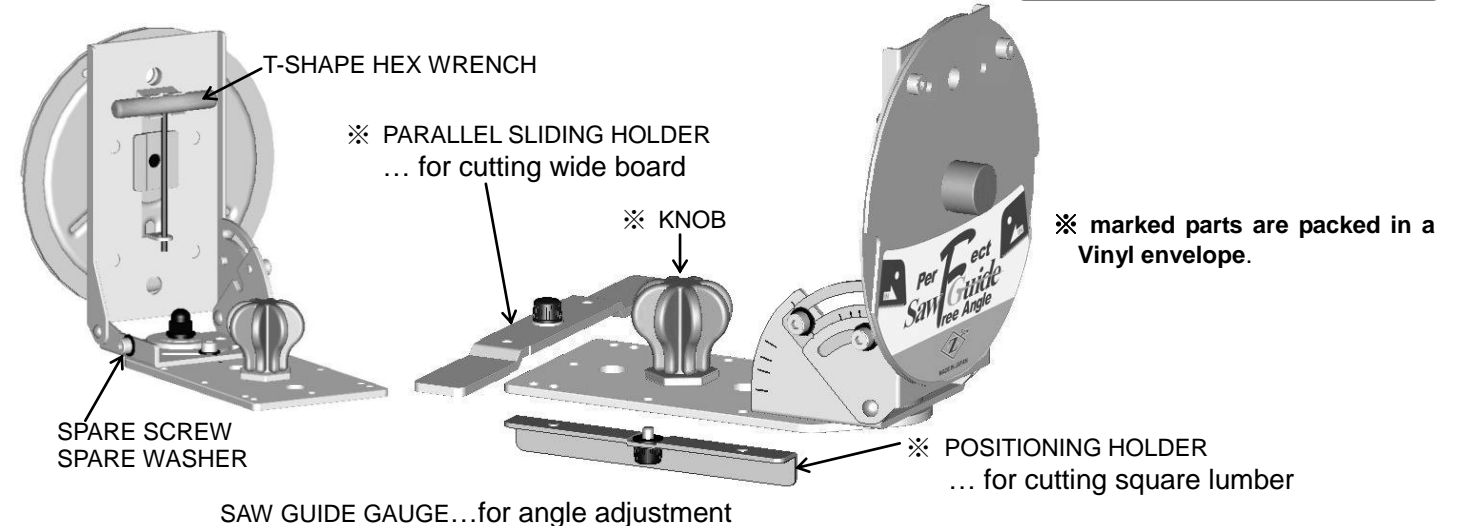
(How to Use)

Features:

This innovative Adjustable angle saw guide is designed for the exclusive use by Z-SAW universal s-265. Quick and very easy angle adjustment for sawing at any angle between both 45° right & left direction as well as both 45° front & back inclined direction. Rigidly and precisely constructed steel-made Adjustable angle saw guide ensures accurate straight cuts, and it can be held in a position firmly by hand supporting with positioning holders. Equally suited for left and right hand position. Long straight cut on a wide board is also easily possible by using the parallel sliding holder. Special Saw Guide Gauge and Dummy Blade for exact angle adjustment are available.



Saw Guide Free Angle

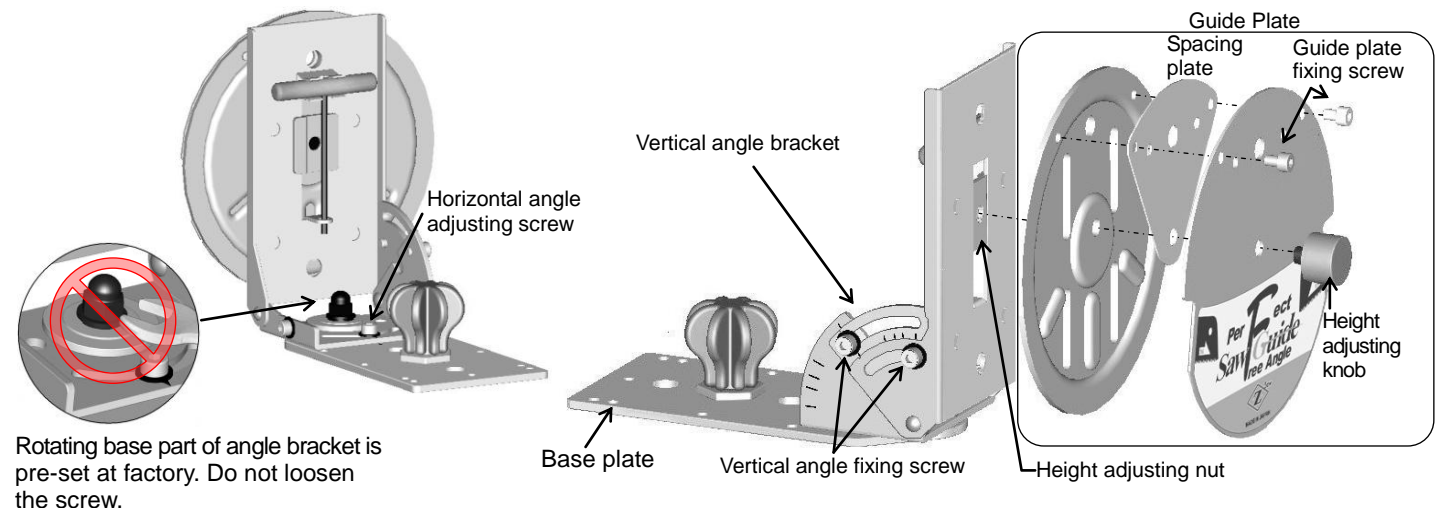


※ marked parts are packed in a Vinyl envelope.

SAW GUIDE GAUGE...for angle adjustment

DUMMY BLADE

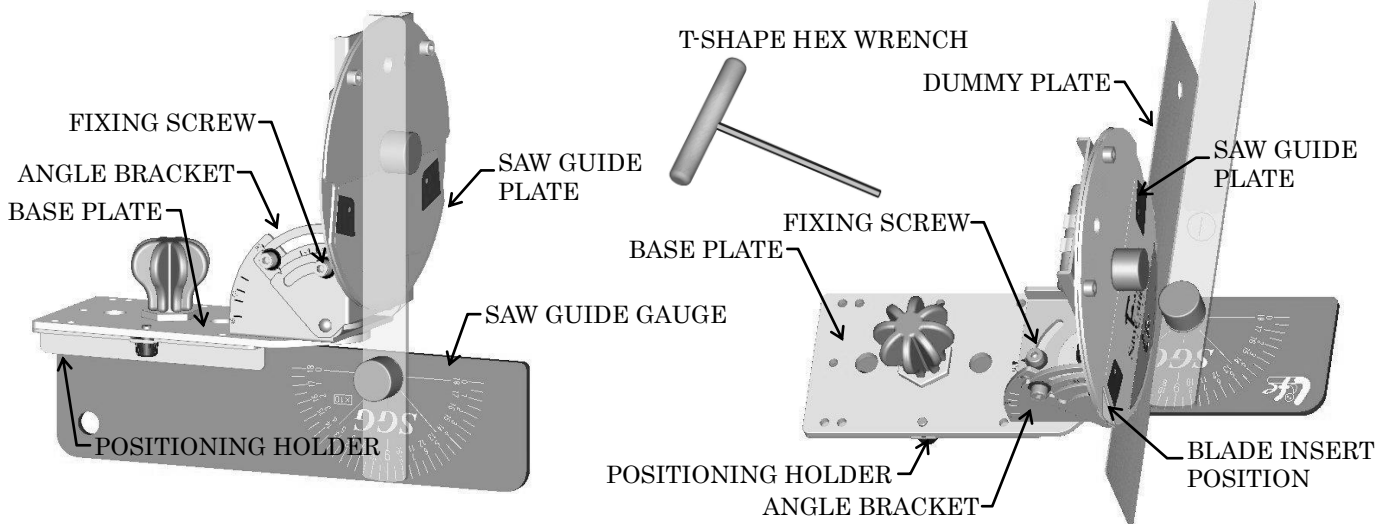
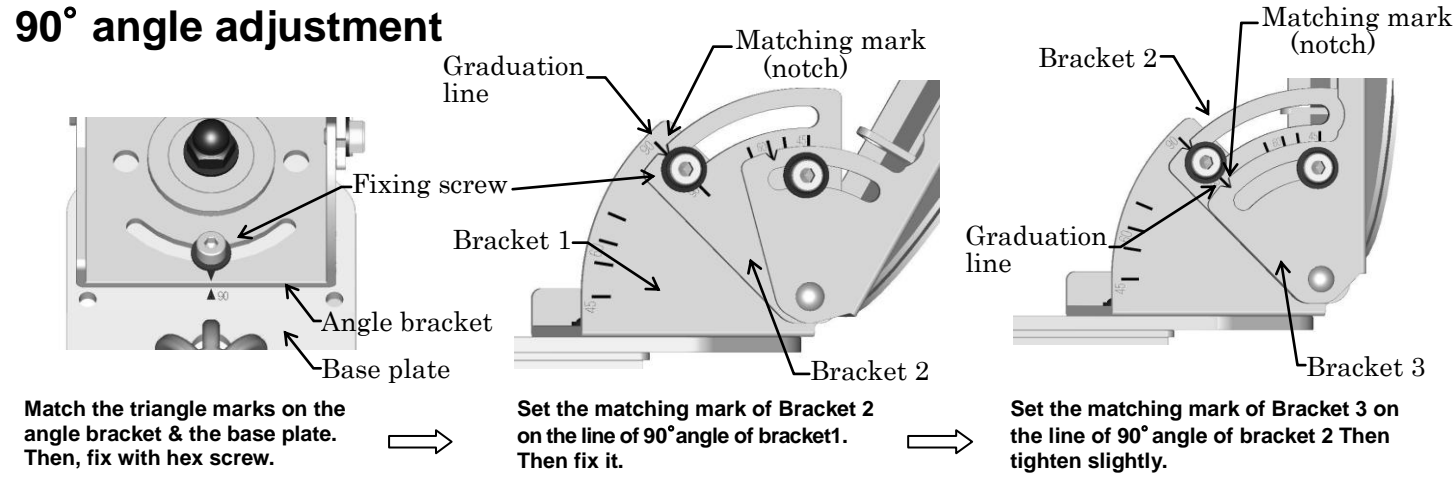
Construction of Parts



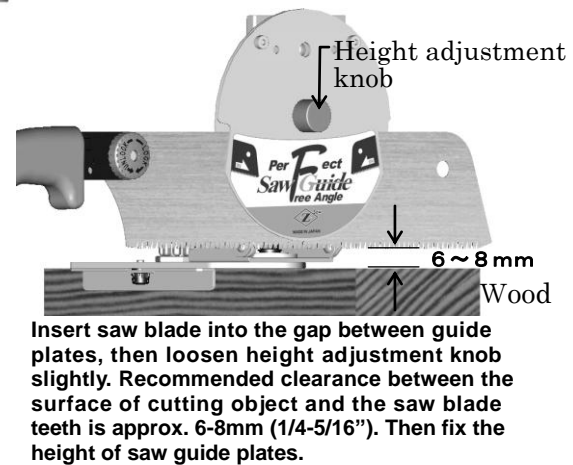
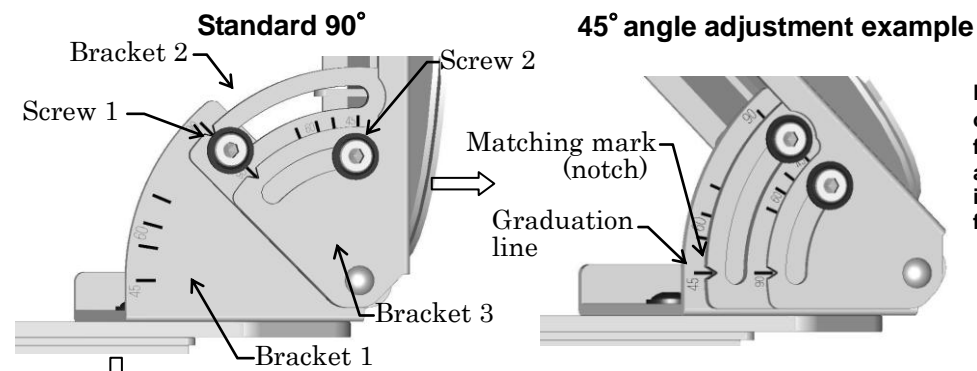
Rotating base part of angle bracket is pre-set at factory. Do not loosen the screw.

How to adjust angle

90° angle adjustment



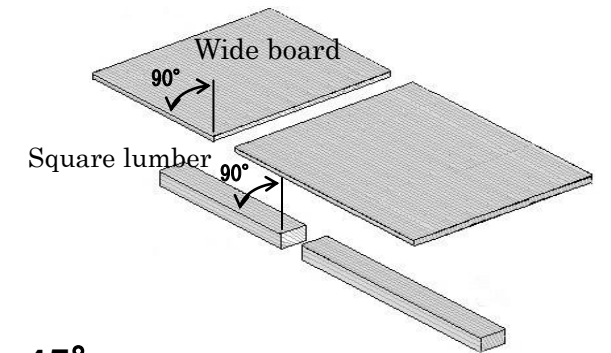
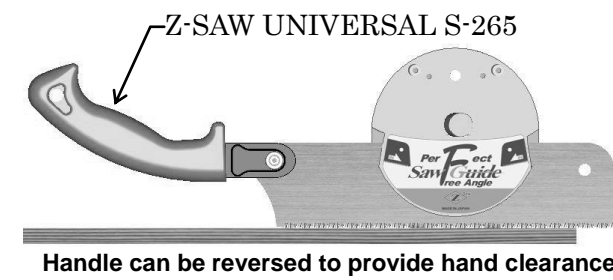
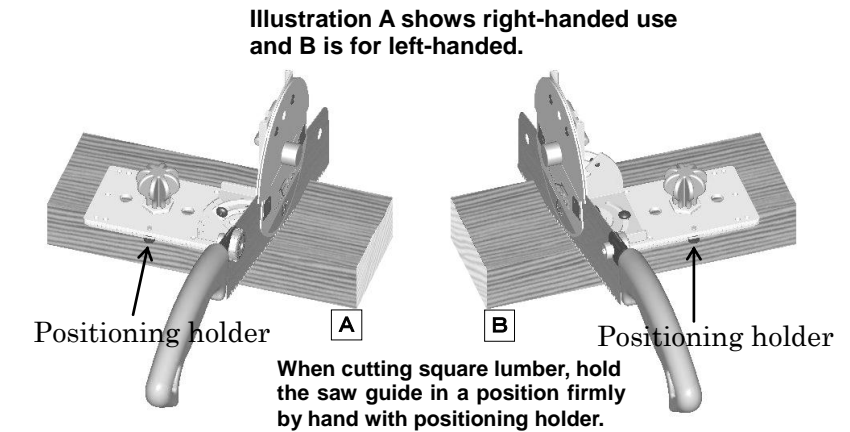
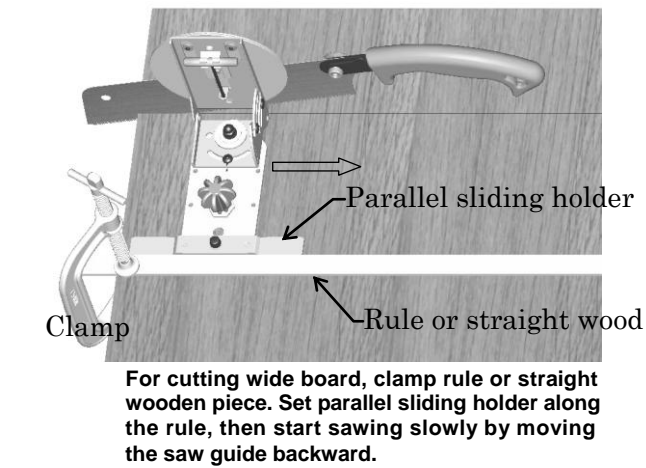
Compound angle adjustment



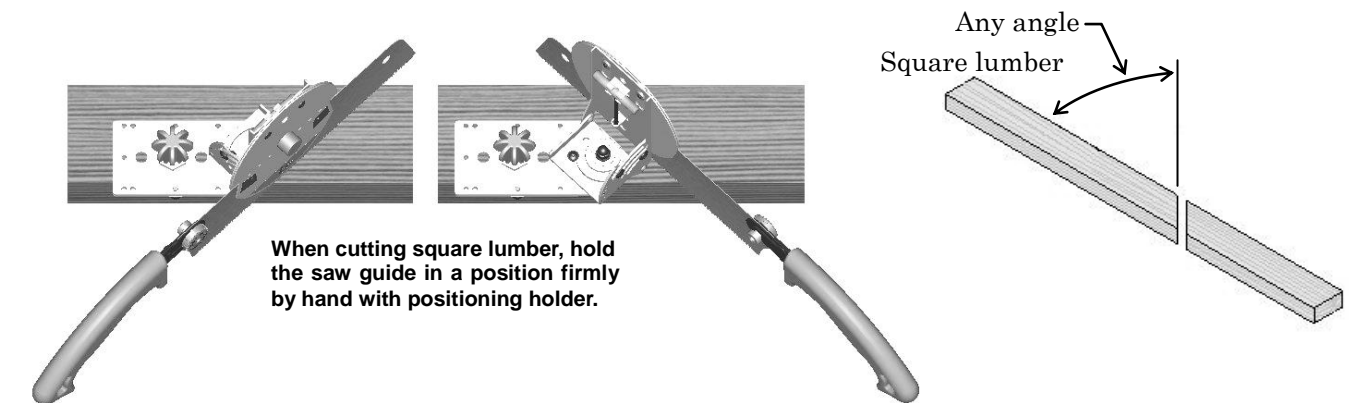
Too tight hinge connection between angle bracket and base plate may loosen by applying some lubricants on pivots.

Variation of "Saw Guide, Free Angle"

Square Cut



Right & Left angle cutting 45° ⇄ 90° ⇄ 45°



Compound cutting 45° ⇄ 90° ⇄ 45°

