

CMT900

Drilling template for dowel joints, shelf supports and hinges

**Mecanismo perforador para juntas con perno,
sostén para estantes y bisagras**

**Système de perçage pour assemblages
à tourillon de porte-étagères et charnières**

Dima per foratura universale

**Bohrschablone für Dübelverbindungen,
Regalhalter und Topfscharniere**

Instruction Manual	EN	p. 4
Manual de instrucciones	ES	p.22
Manuel d'utilisation	FR	p.40
Manuale di istruzioni	IT	p.58
Gebrauchsanweisungen	DE	S.76



CMT Utensili S.p.A.

Via della Meccanica

61020 Chiusa di Ginestreto

Pesaro - Italia

tel_ **+39 0721 48571**

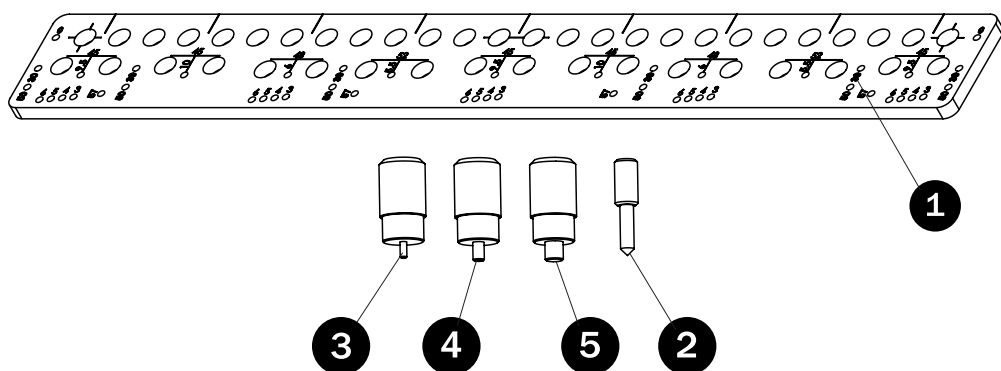
fax_ **+39 0721 481021**

e-mail_ **info@cmtutensili.com**

web site_ **www.cmtutensili.com**

INDEX	page
CMT900 drilling template description and use	4
CMT400-1 adaptor chuck description and use	6
Making dowel and screw joints on a flat surface	8
Shelf support drilling	11
Drilling for hinges	16
Work safety and spare parts list	21

CMT900



CMT900 kit		Code
1) Laminated Bakelite drilling template	1 pc	CMT900-01
2) Steel fixing pins (Ø6/Ø10mm) with the bit	4 pcs	CMT900-04
3) Ø3/18mm steel centering pins	2 pcs	CMT900-13
4) Ø5/18mm steel centering pins	2 pcs	CMT900-15
5) Ø8/18mm steel centering pins	2 pcs	CMT900-18

Description of CMT900 drilling template

The whole system consists of a drilling template (**draw. 1**) with precise 18mm diameter and 32mm spacing, for hinges and holes for dowels, of fixing pins (**draw. 2**) with the point for position marking and of centering pins (**draw. 3, 4 and 5**), for keeping the position in the event of the template moving. The holes for pins are indicated with numbers, which show the relative dimension in terms of the stop in question.

The **CMT900** drilling template is tightened to the work piece with clamps.

Using the CMT900 drilling template

The **CMT900** drilling template is designed for making corner dowel joints for furniture elements, for boards from 18 to 30mm thick or with 40-50-60mm screws for boards from 18 to 30mm thick, for Ø3mm and Ø5mm pre-drilled holes for shelf supports and for drilling holes for wood screws and hinge pivots. These operations require the **CMT400-1** adaptor chuck and any cordless or battery drill.

Thanks to the carefully studied design of the drilling template, a wide range of drill bits can be used for drilling dowel holes with various diameters. The whole system is based on the use of the drilling template with adaptor chuck on which the drill bit is fitted. The carefully studied construction and maximum precision of the drilling template and the adaptor chuck enable to obtain unique quality products.

The following is required to work with the template:

Electric or battery drill

CMT400-1 adaptor chuck

Blind hole drill bits with HW cutting edge (Ø8mm shank)

and HW hinge hole bits (Ø10mm shank)

Drill tips with HW cutting edge and a tightening shank S=8mm

Code	Description	Use
306.030.21	Ø3x30mm HW blind hole drill bit	with CMT400-1 for blind holes
306.050.11	Ø5x30mm HW blind hole drill bit	with CMT400-1 for blind holes
306.080.11	Ø8x30mm HW blind hole drill bit	with CMT400-1 for blind holes
307.070.11	Ø7x40mm HW blind hole drill bit	with CMT400-1 for through holes for screws
512.350.11	Ø35x90mm HW hinge hole bit	with HW for drilling hinge cup holes

Description of the CMT400-1 adaptor chuck

The adaptor chuck consists in a duralumin centering bush and a $\varnothing 9$ mm diameter chuck shaft with a $\varnothing 8$ mm hole for fitting drill bits.

The drilling shank is positioned in the centering bush, where the bearings ensure maximum precision. For tightening, there is a spring and a stop ring fixed held with a screw.

Drilling depth is set with the stop ring; for drilling depth range see **(Fig. 1)**. To facilitate drilling depth setting, there is a gauge with a 5mm scale **(Fig. 1)**.

CMT400-1

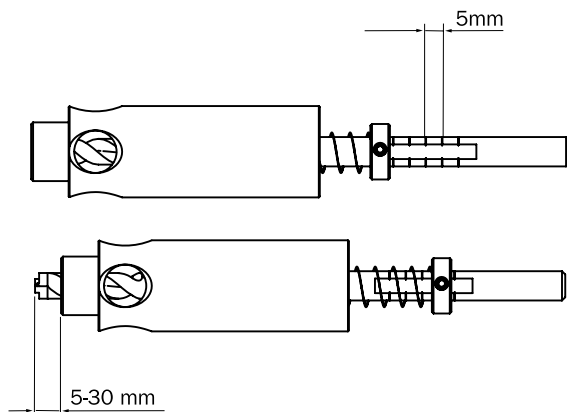
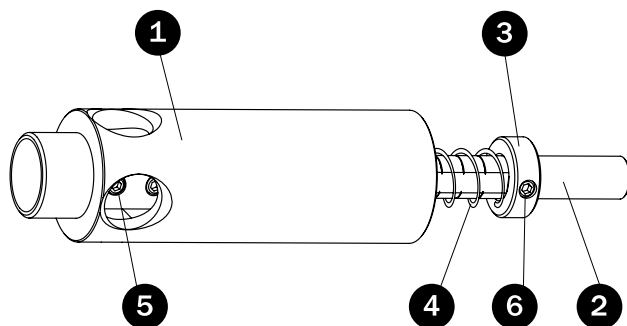


Fig. 1

Basic CMT400-1 kit

1 pc	complete duralumin adaptor chuck
1 pc	2mm hex key

Setting drilling depth with the CMT400-1

Setting procedure is illustrated in **Fig. 2**. Tighten the work piece to the template. Insert the adaptor chuck into the 18mm diameter hole so that, after pressing on to the shank, the point of the drill bit touches the work piece. Loosen the adjustment ring screw (the 2mm hex key is included in the CMT400-1 kit) and press the stop ring towards the drilling mechanism until the spring is entirely compressed (**Fig. 2A**). The point of the drill bit must always touch the work piece. Tighten the screw of the stop ring and measure the distance between the stop ring edge and the shank end (**Fig. 2B**). The zero point for the drilling depth is thus set. Loosen the stop ring screw; calculate the difference between the measured value and the required drilling depth and set the calculated value with the stop ring on the shank (**Fig. 2C**), using the positioning sliders (which have a 5mm gauge). Carefully tighten the screw, respecting its diameter (**Fig. 2D**).

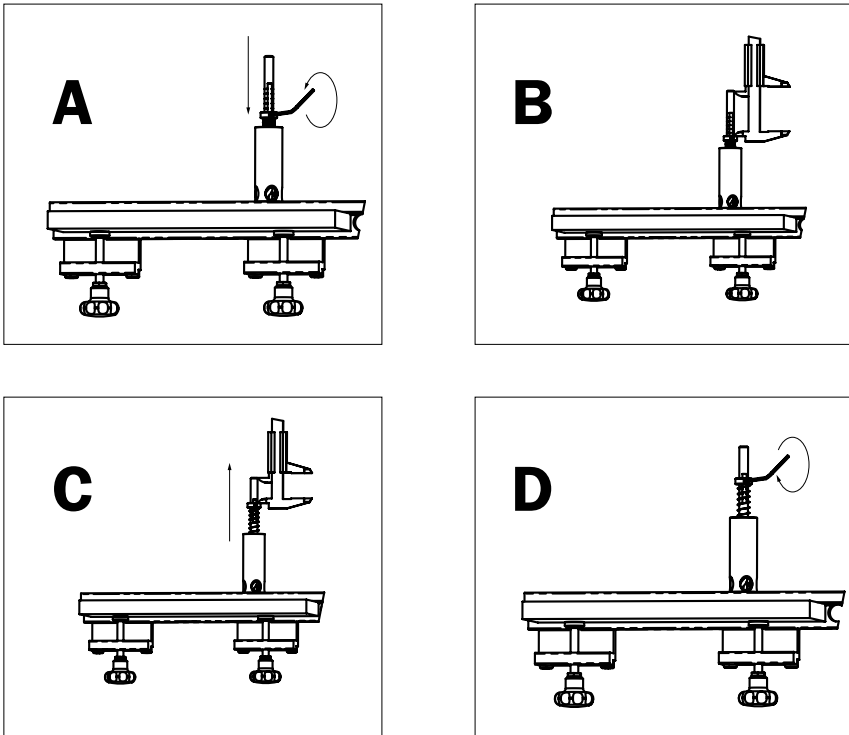


Fig. 2

Making dowel holes in a surface

The various cupboard elements are shown in **Fig. 3**.

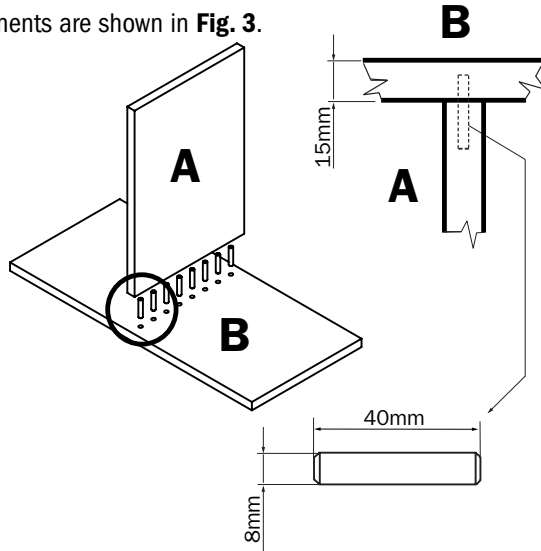


Fig. 3

- Before drilling, always make certain that the mechanism stops is perfectly up against the contact points of the work piece.
- Always match the template with the work piece starting from the front edge.
- Check drilling depth before drilling.
- If the drilled hole is not clean, sharpen the drill bit.

On the surface of the work piece on which the holes are to be drilled, draw a line across the horizontal work piece: this line must also be positioned at the centre of the vertical work piece.

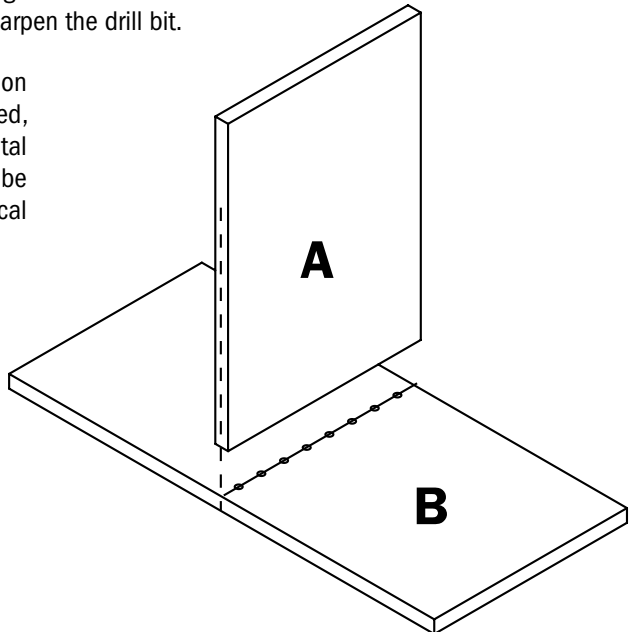


Fig. 4

Insert the stop in the 0 hole at the edge of the template. Position the **CMT900** on the work piece so that the edge stop touches the front edge of the work piece and the axis of the template holes is aligned with the line drawn on the work piece (**Fig. 5**).

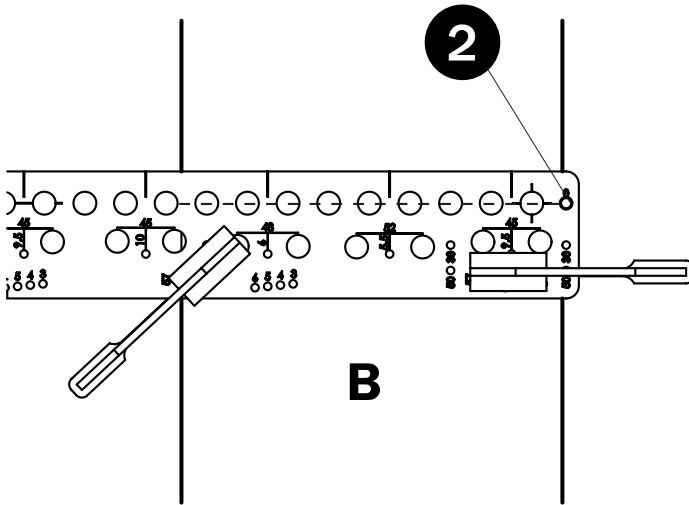


Fig. 5

Make certain that the stop ring is up against the front edge of the work piece and the centre axis of the template holes crosses the line drawn on the work piece. Now tighten the **CMT900** using the clamps. Set the drilling depth of the adaptor chuck at 15mm with an 18mm thick work piece. Insert the adaptor chuck with the relative drill bit in the holes and start drilling the dowel holes (**Fig. 5**). Drill deep holes gradually so that chips can be removed. Make certain the drill rotates in the correct direction - these are right-hand bits.

Drilling screw holes in a surface

The procedure and the division of the work pieces are the same as for making a dowel joint in a surface. Use a 7mm diameter drill bit for through holes. Set drilling depth so that the drill bit can drill through the entire thickness without difficulty.

Ensure the drill rotates in the correct direction – these are right-hand bits.

NB: To make dowel or screw joints in the edge, it is advisable to use the CMT400 or CMT656 drilling template.

Making a joint with larger dimensions than the drilling template

The procedure is illustrated in figure (Fig. 7).

Once the edge stop is removed (pos. 2), the template can be moved along the work piece edge. The centring pin is used to hold the last hole and keep the 32mm spacing (pos. 3/4/5). The drilling template is supplied with centering pins for 8mm, 5mm and 3mm dowel diameters. The procedure is the same as for surface drilling; the only difference is that the centering pin is replaced by the front stop. To position the template aligned with previously drilled holes, use the two centering pins located as far apart as possible.

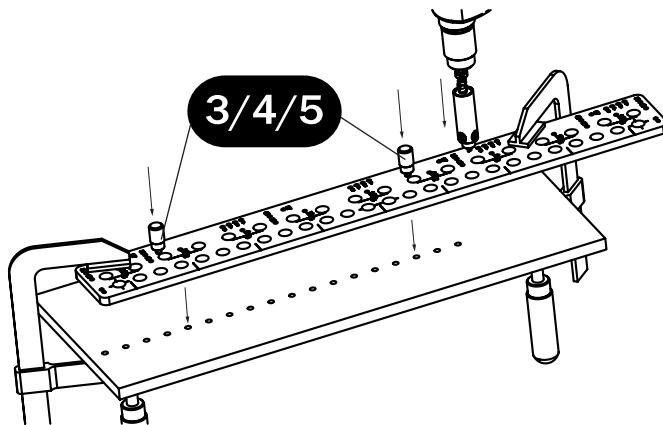


Fig. 7

WARNING!!!

While drilling, press the adaptor chuck against the template to ensure vertical holes. The drilling bush can be supported with the other hand. Always keep the drill in a vertical position so that the drilling bush touches the **CMT900** with its entire surface. **It is advisable to drill holes gradually and always follow safety instructions for drilling work!**

Drilling shelf supports holes

The division and side work piece of the cupboard body are shown in **Fig. 8**.

The “n” parameter in the illustrations shows the number of holes starting from the second hole at the 0 stop (**Fig. 10 and 12**).

- Before drilling, always make certain the template stops are perfectly up against the work piece.
- Always match the template with the work piece starting from one edge (upper or lower side).
- Check drilling depth before drilling.
- If the drilled hole is not clean, sharpen the drill bit.

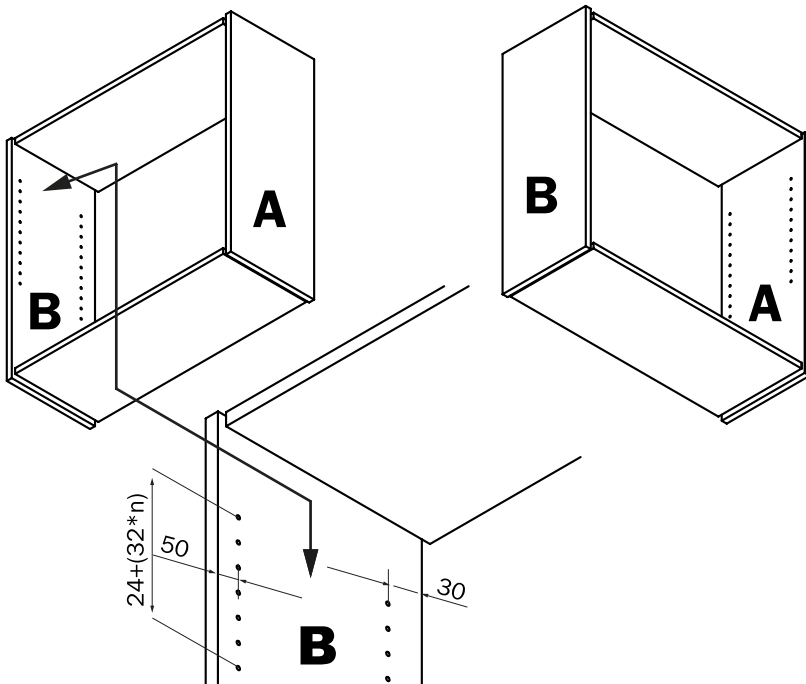


Fig. 8

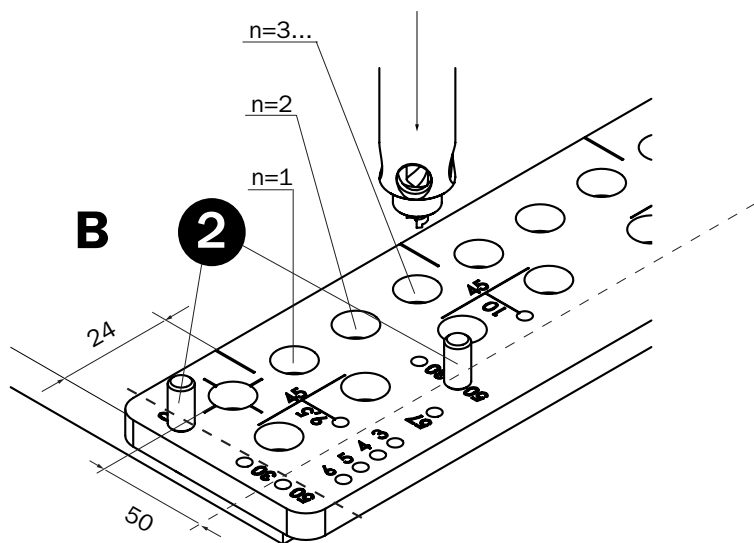


Fig. 10

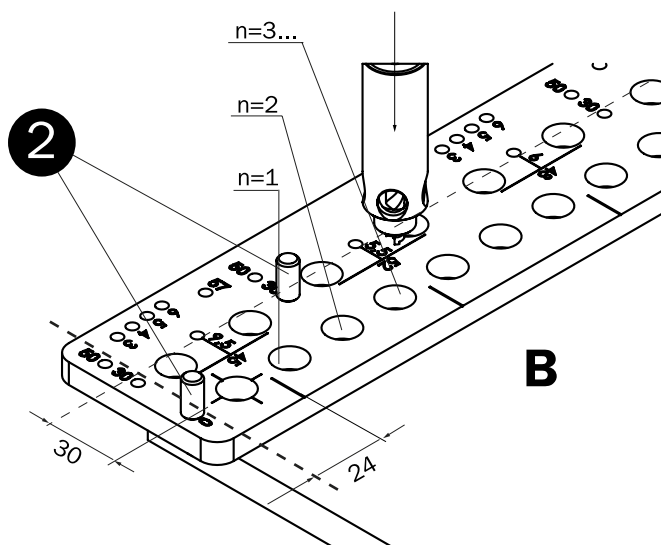


Fig. 12

Drilling holes for shelf supports starting from the front edge

Insert two stops (pos. 2) in the 50 holes and one (pos. 2) in the 0 hole at the template edge. Position the **CMT900** on the work piece so that the two stops in the 50 holes are up against the work piece's front edge and the stop (pos. 2) in the 0 hole is up against the upper edge of the work piece. Use the 50 holes to position the shelf supports at 50mm from the front edge. Use the **CMT400-1** adaptor chuck with a drill bit for blind holes according to the shelf support diameter (**Fig. 9**).

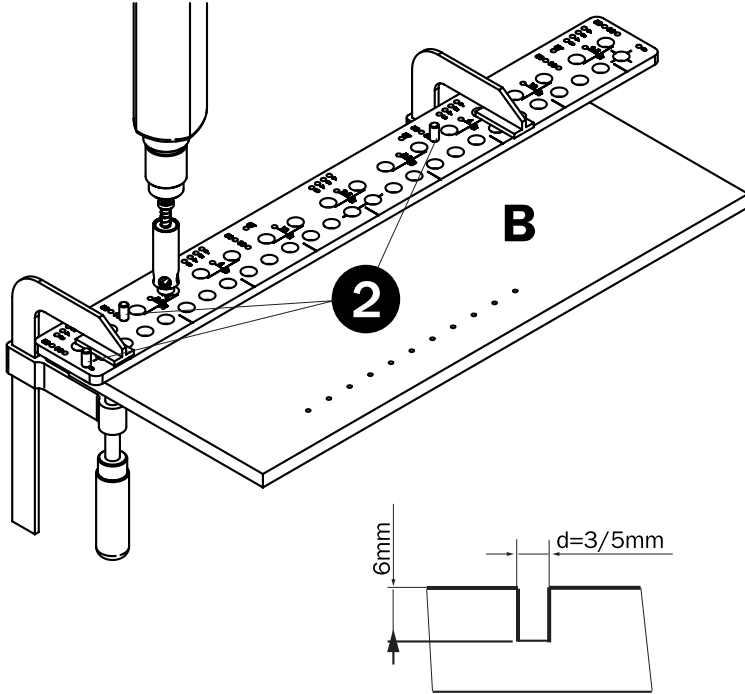


Fig. 9

Make certain that the stops are up against the front and the upper edge of the board. Tighten the drilling template to the work piece using clamps. Set the 8mm drilling depth of the adaptor chuck. Insert the adaptor chuck with the relative drill bit in the main row of holes and start drilling the shelf support holes (**Fig. 10**). Ensure the drill rotates in the correct direction – these are right-hand bits.

If the distance of the holes from the 0 stop does not suit you, remove this stop from the **CMT900** template and move the template according to the required distance. Leave the stops in the 50 holes fitted to the template: setting the required distance is facilitated by the guide line in the holes' axes.

Drilling holes for shelf supports starting from the rear edge

Insert two pins (pos. 2) in the 30 holes and one in the 0 hole at the template edge. Position the **CMT900** on the work piece so that the two pins in the 30 holes are up against the rear edge of the work piece and the stop in the 0 hole is up against the work piece upper edge (**Fig. 11**).

Use the 30 holes to position the shelf supports at 30mm from the rear edge.

Use the **CMT400-1** adaptor chuck with a 3mm or 5mm drill bit for blind holes.

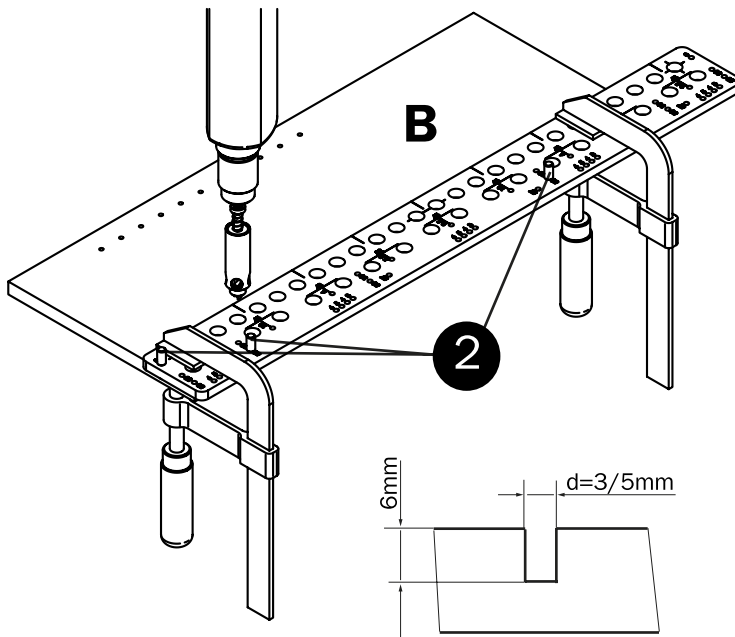


Fig. 11

Make certain that the stops are up against the rear and the upper edges of the board.

Tighten the drilling template to the work piece using clamps.

Set the 8mm drilling depth of the adaptor chuck. Insert the adaptor chuck with the relative drill bit in the main row of holes and start drilling the shelf support holes (**Fig. 12**). Ensure the drill rotates in the correct direction - these are right-hand bits.

If the distance of the holes from the 0 stop does not suit you, remove this stop from the **CMT900** template and move the template according to the required distance. Leave the stops in the 30 holes fitted to the template: setting the required distance is facilitated by the guide line in the holes' axes.

Making joints longer than the drill

The procedure is shown in **Fig. 7**.

Once the edge stop (**pos. 2**) is removed, the template can be moved along the work piece edge. The centering pins included in the **CMT900** drilling template's basic kit are used to fix the last hole and keep the 32mm spacing (**pos. 3/4/5**).

The pins supplied have a 5mm and 3mm diameter.

The procedure is the same as with the 0 stop; mechanism positioning on the drilled component is ensured by the centering pin and two pins. To align the template with previously drilled holes, position the two centering pins as far apart as possible.

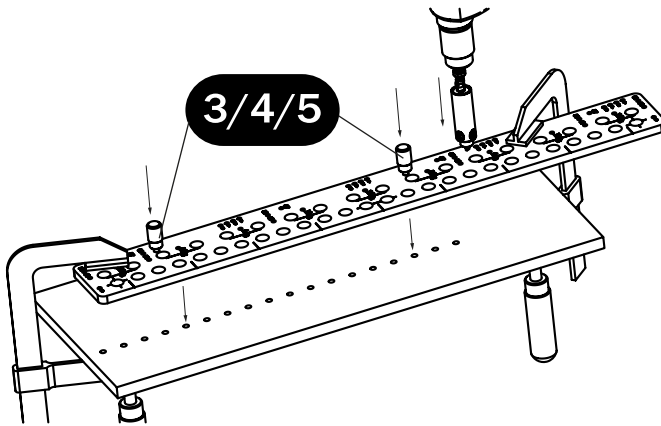


Fig. 7

Drilling holes for hinges

Figure 13 shows how to drill holes for hinges.

- Before drilling, always make certain the template is perfectly up against the work piece.
- Always match the mechanism with the work piece starting from the front edge.
- Check drilling depth before drilling.
- If the drilled hole is not clean, sharpen the bit.

Hinge spacing list

Screws at the hinge foot: spacing 32mm /37mm from the edge

Common screw and cup hinge spacing		
Manufacturer	T1 screw spacing	Hinge pivot and T2 screw spacing
HETTICH	52mm	5.5mm
BLUM	45mm	9.5mm
FGV	48mm	6mm
INTEREX	45mm	9.5mm
TEKNO	45mm	10mm

Preparing elements before drilling – hinge axis indication

Indicate the hinge axes and the distance from upper and lower edges from the inside part of the work piece on the side of the body. If possible, it is advisable to keep a 120mm distance from the edge of the work piece. Position the door at the side element so that they protrude by the same amount on both sides. Now copy the hinges' axes on the inner side of the door. Using a set square, draw the axes of the hinges at about 150mm from the edge of the side element and the door. The precision of the hinge indication will affect the positioning of the door at the top (Fig. 13).

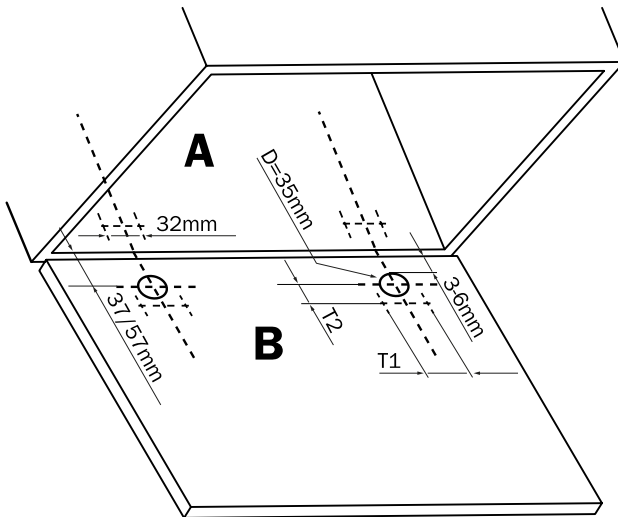


Fig. 13

Drilling holes in the body (hinge fitted)

Insert two pins (pos. 2) in any 2 adjacent holes in a row to mark the centre of the pivots (**Fig. 14**). Position **CMT900** on the work piece so that the central axis of the selected hinge spacing on the template is aligned with the central axis on the work piece and the pins are up against the front edge of the work piece. Use the **CMT400-1** adaptor chuck with a drill bit for $\varnothing 3\text{mm}$ blind holes for wood screws or $\varnothing 5\text{mm}$ for euro screws.

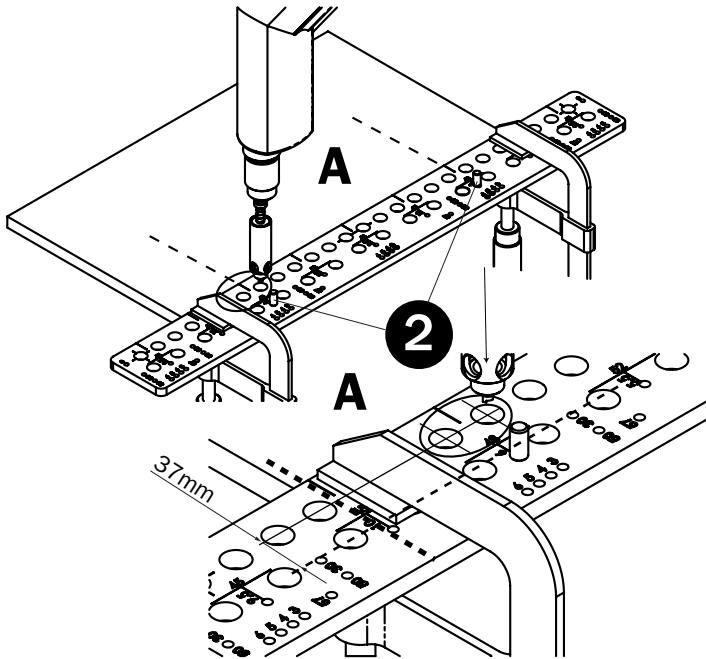


Fig. 14

Make certain that the stops are up against the front edge of the board and the hinge axis on the drilling template is at the same point as the hinge axis on the work piece. Fix the drilling template to the work piece using clamps. Set the drilling depth of the adaptor chuck according to the wood screws used. Insert the adaptor chuck with the relative drill bit in the main row of holes and drill a hole to the right of the axis and another to the left (**detail Fig. 14**). Make certain the drill rotates in the correct direction – these are right-hand bits.

Drilling holes in the body (NK hinge fitted)

Insert two metal pins (pos. 2) in 57 holes (Fig. 15). Position the **CMT900** on the work piece so that the central axis of the chosen hinge spacing on the template is aligned with the central axis on the work piece and the pins are up against the front edge of the work piece. Use the **CMT400-1** adaptor chuck with a drill bit for $\varnothing 3\text{mm}$ blind holes for wood screws or $\varnothing 5\text{mm}$ for euro screws.

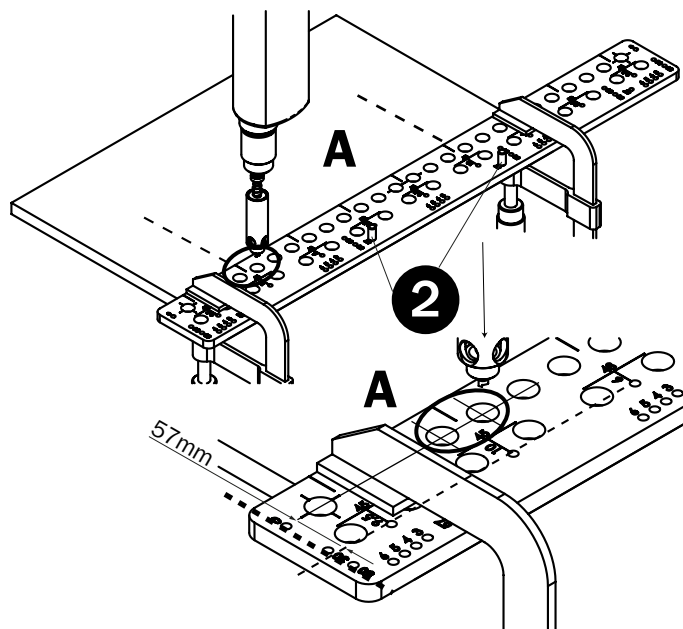


Fig. 15

Make certain that the stops are up against the front edge of the board and the hinge axis on the drilling template is at the same place as the hinge axis on the work piece. Fix the drilling template to the work piece using clamps. Set the drilling depth of the adaptor chuck according to the wood screws used. Insert the adaptor chuck with the relative drill bit in the main row of holes and drill a hole to the right of the axis and another to the left of the axis (detail Fig. 15). Make certain the drill rotates in the correct direction – these are right-hand bits.

Drilling holes in the door and indicating the pivot centre

Before beginning to drill, it is necessary to establish the parameters of screw spacing, the pivot centre movement and recommended distance between the pivot and the edge. The parameters for the most commonly used hinges are shown in the preceding table.

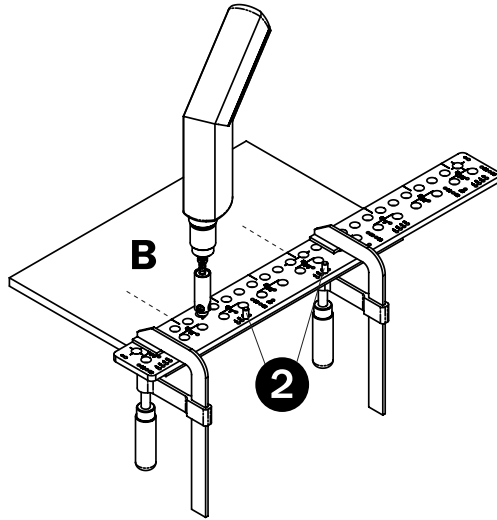


Fig. 16

Insert two pins (**pos. 2**) in one of the holes 3 - 6 (according to the chosen distance of the pivot from the edge) using the spacing corresponding to the hinge chosen (**Fig. 16 & 17**). Position the **CMT900** on the work piece, so that the central axis of the chosen hinge spacing on the template is aligned with the central axis on the work piece and the stops are up against front edge of the work piece. Use the **CMT400-1** adaptor chuck with a drill bit for blind holes with $\varnothing 3\text{mm}$ for wood screws, $\varnothing 5\text{mm}$ for euro screws or $\varnothing 8\text{mm}$ for fast plugs.

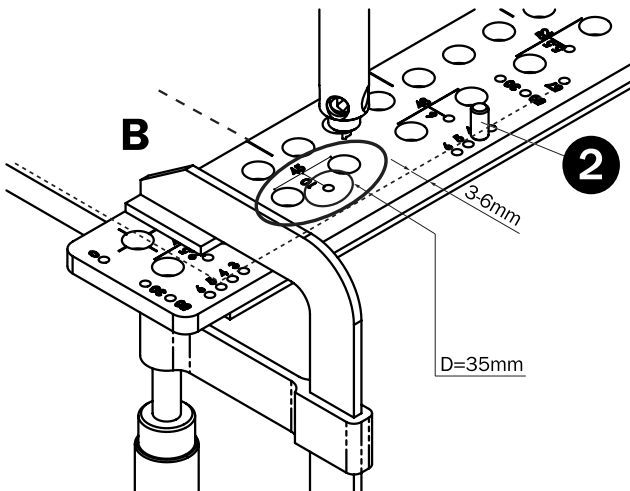


Fig. 17

Make certain that the stops are up against the front edge of the board and that the hinge axis on the drilling template is at the same point as the hinge axis on the work piece. Fix the drilling template to the work piece using clamps. Set the drilling depth on the adaptor chuck according to the length of the screws used. Put the adaptor chuck with the relative drill bit gradually into the two holes for the hinge used and drill one hole to the right of the axis and another to the left of the axis (**Fig. 17**). Make certain the drill rotates in the correct direction – these are right-hand bits.

Holes 3, 4, 5 and 6 are used to set the distance between the pivot centre and the door edge; the numbers show the distance of the edge of the 35mm diameter pivot hole from the board edge.

Once the holes for the wood screws are drilled, indicate the pivot centre with pointed stop (**pos. 2**). Insert the stop in the hole and, gently tapping with a hammer, create a guide hole for the hinge bit (**Fig. 18**).

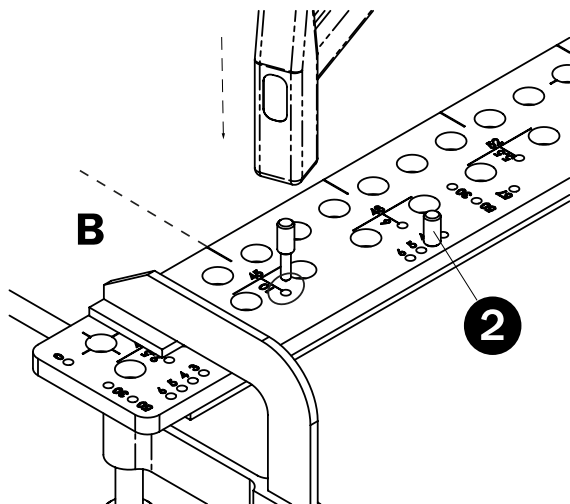


Fig. 18

Drilling holes for the hinge pivot

Remove the clamps and separate the drilling template from the work piece. Fit a 35mm hinge bit on the drill. Now insert the bit in the guide hole on the door and drill a 35mm diameter 11mm deep hole.

To drill the 35mm hole, a CMT 512.350.11 bit is recommended.

WARNING!!!

While drilling, press the adaptor chuck against the template to ensure vertical drilling.

The drilling bush can be supported with the other hand. Always keep the drill in a vertical position, so that the drilling bush touches the **CMT400-1** with its entire surface and all holes are vertical.

It is advisable to drill holes gradually. Always follow safety instructions for drilling work!

Work safety

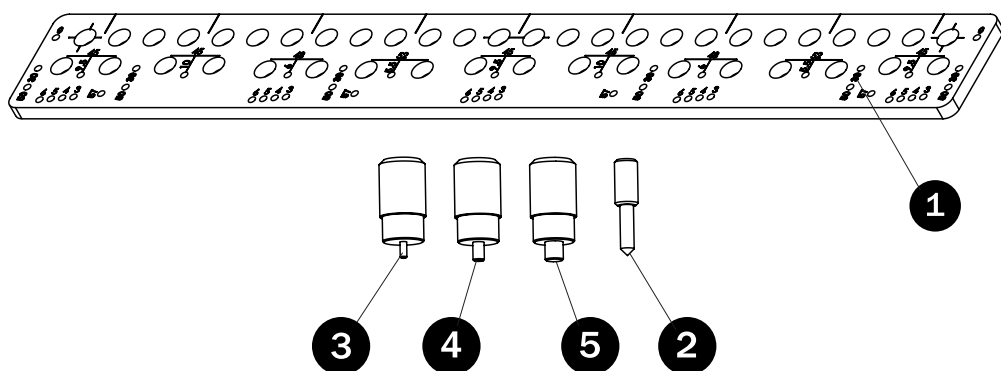
- 1 - Always switch off and unplug the drill when changing the drill bit or setting drilling depth.
- 2 - Do not touch rotating parts while drilling.
- 3 - Use ear protection.
- 4 - Always wear a dust mask or a ventilator.
- 5 - Do not wear loose clothing. Make certain loose sleeves have been rolled up or held closed and do not wear a tie.
- 6 - Before switching the drill on, make certain that the drill bit is well tightened and the stop ring well secured.
- 7 - Prevent the drill from unexpectedly switching on: make certain the drill switch is not locked at "on" before plugging in.
- 8 - Wait until the drill has stopped completely before performing any setting operation or tool change.

CMT900 – Spare parts list (see page 4)			
Pos. #	Description	Pieces	Code
1	Drilling template	1	CMT900-01
2	Ø6/10mm fixing pin with point	4	CMT900-04
3	Ø3/18mm centering pin	2	CMT900-13
4	Ø5/18mm centering pin	2	CMT900-15
5	Ø8/18mm centering pin	2	CMT900-18

CMT400-1 and CMT400-2 - Spare parts list (see page 6)			
Pos. #	Description	Pieces	Code
1	CMT400-1 centering bush w. bearings	1	CMT400-11
	CMT400-2 centering bush w. bearings	1	CMT400-21
2	CMT400-1 chuck shaft	1	CMT400-12
	CMT400-2 chuck shaft	1	CMT400-22
3	Ø9/17x6mm stop ring	1	CMT400-13
4	Ø10/12x65mm spring	1	CMT400-14
5-6	M4x4 setting grub hex screws	2	990.016.00
7	2mm hex key	1	991.060.00
8	Ø5mm centering pin for CMT400-2	1	CMT900-15
9	Ø7mm centering pin for CMT400-2	1	CMT900-17

ÍNDICE	página
Descripción y empleo plantilla de taladrado CMT900	22
Descripción y empleo adaptador portabroca CMT400-1	24
Fabricación de empalmes con espigas o tornillos en la superficie	26
Taladrado para estantes	29
Taladrado para bisagras	34
Seguridad y repuestos	39

CMT900



Contenido CMT900		Código
1) Plantilla de taladrado de baquelita laminada	1 pieza	CMT900-01
2) Mandriles de fijación de acero D6/D10mm con punta	4 piezas	CMT900-04
3) Mandriles de centraje de acero D3/18mm	2 piezas	CMT900-13
4) Mandriles de centraje de acero D5/18mm	2 piezas	CMT900-15
5) Mandriles de centraje de acero D8/18mm	2 piezas	CMT900-18

Descripción de la plantilla de taladrado CMT900

Todo el mecanismo está integrado por una plantilla de taladrado **dib. 1** (con agujeros precisos de 18mm de diámetro y paso de 32mm, más agujeros para las bisagras y agujeros para mandriles), por los mandriles de fijación **dib. 2** (con punta para la indicación del posicionamiento) y por los mandriles de centraje **dib. 3, 4 y 5** (para mantener el posicionamiento en el caso de que se ocurra un deslizamiento de la plantilla). Los agujeros para los mandriles están marcados con números que indican el tamaño correspondiente con respecto al mandril de tope.

La plantilla de taladrado **CMT900** tiene que fijarse al material taladrado mediante unas mordazas.

Empleo de la plantilla de taladrado CMT900

La plantilla de taladrado **CMT900** está destinada a la producción de empalmes con espigas con grosor de la madera de 18-30mm, o bien con tornillos de 40-50-60mm y grosor de la tabla de 18-30mm, para la realización previa de agujeros para soportes de estantes con Ø3mm y Ø5mm y para taladrar agujeros para tornillos para madera y quicios de la bisagras. Para llevar a cabo estas operaciones es necesario utilizar un taladro de mano, de batería o eléctrico y el adaptador portabroca **CMT400-1**. Gracias a la forma ingeniosa de la cápsula para taladrar, es posible utilizar una amplia gama de brocas para taladrar agujeros para espigas con distintos diámetros. Todo el sistema se basa en la utilización de la plantilla de taladrado con el adaptador portabroca en el cual se fija la broca. Gracias a la fabricación inteligente, la precisión máxima de la plantilla de taladrado y el adaptador portabroca, podrá conseguir una calidad única para sus productos.

Para poder utilizar la plantilla se necesitan:

Taladro eléctrico o de batería

Adaptador portabroca CMT400-1

Brocas de agujero ciego en HW (enganche Ø8mm)

y brocas para agujero bisagra HW (enganche Ø10mm)

Brocas con filo cortante HW y vástago para la fijación S=8mm

Código	Descripción	Empleo
306.030.21	Ø3x30mm broca agujero ciego en HW	with CMT400-1 for blind holes
306.050.11	Ø5x30mm broca agujero ciego en HW	with CMT400-1 for blind holes
306.080.11	Ø8x30mm broca agujero ciego en HW	with CMT400-1 for blind holes
307.070.11	Ø7x40mm broca agujero ciego en HW	with CMT400-1 for through holes for screws
512.350.11	Ø35x90mm broca agujero bisagra en HW	para taladrado de quicio de bisagra

Descripción del adaptador portabroca CMT400-1

El adaptador portabroca está integrado por la cápsula de centrado de duraluminio y por el eje portabroca de 9mm de diámetro, con un agujero de 8mm de diámetro para fijar las brocas.

El eje está colocado en la cápsula de centrado, donde los cojinetes aseguran la máxima precisión de ejecución. Para la fijación hay un muelle y un anillo de tope que, a su vez, hay que bloquear con un tornillo. La profundidad de taladrado se ajusta mediante el anillo de regulación, la extensión de la profundidad está representada en la **Fig. 1**.

Para facilitar el ajuste de la profundidad hay una escala grabada cada 5mm (**Fig. 1**)

CMT400-1

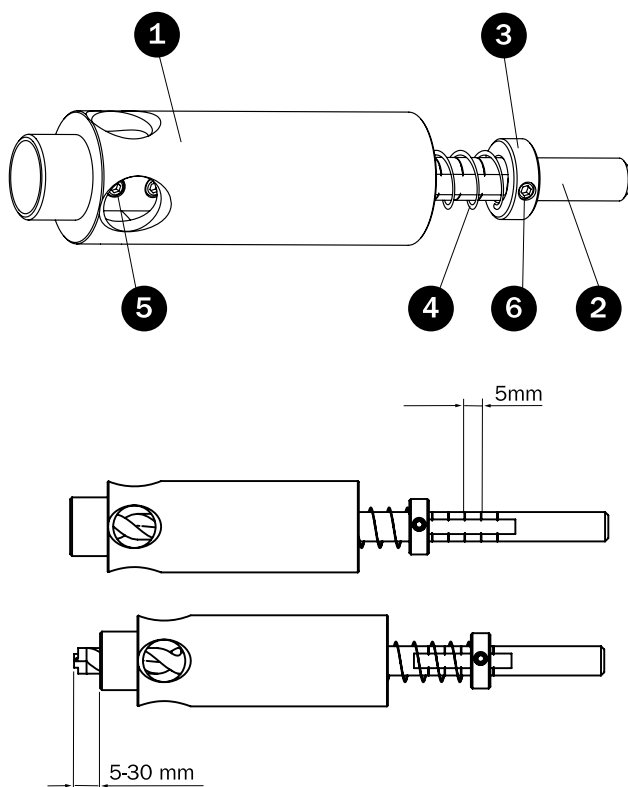


Fig. 1

Contenido CMT400-1

1 pieza Adaptador portabroca completo de duraluminio

1 pieza Llave hexagonal 2mm

Ajuste de la profundidad de taladrado CMT400-1

El proceso para establecer la profundidad está indicado en la **(Fig. 2)**. Fije el material en la plantilla. Introduzca el adaptador portabroca en el agujero con diámetro de 18mm, de manera tal que después de presionado el vástago, la broca se apoye en el material sujetado. Destornille el tornillo del anillo de regulación (la llave hexagonal 2 se suministra con el juego CMT400-1) y haga presión en el anillo, siguiendo la dirección de la plantilla hasta presionar totalmente el muelle **(Fig. 2A)**.

La broca tiene siempre que adherir al material. Atornille el tornillo del anillo de tope y mida la distancia entre el borde del anillo y la extremidad del vástago **(Fig. 2B)**. De este modo queda establecido el punto cero para ajustar la profundidad del agujero. Destornille el tornillo del anillo de tope, reste la profundidad del taladrado que se desee del valor medido y ajuste este valor mediante el anillo de tope en el vástago **(Fig. 2C)** utilizando los cursores de orientación, el paso de los cursores es de 5mm. Atornille el tornillo con cuidado, respetando su diámetro **(Fig. 2D)**.

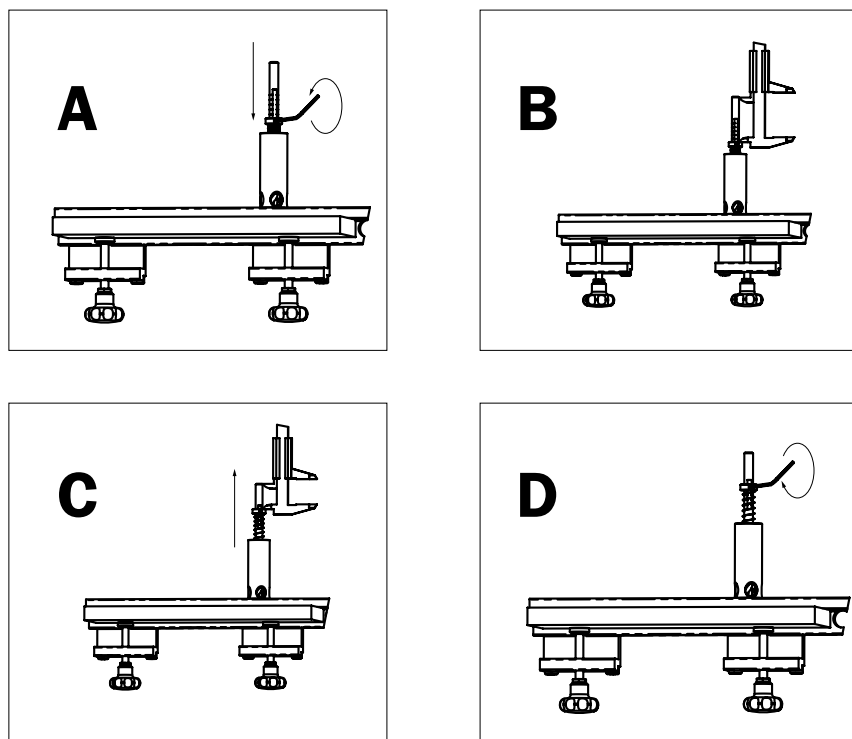


Fig. 2

Taladrado de agujeros para espigas en la superficie

En la figura está representada la repartición de las piezas de trabajo del armario (**Fig. 3**).

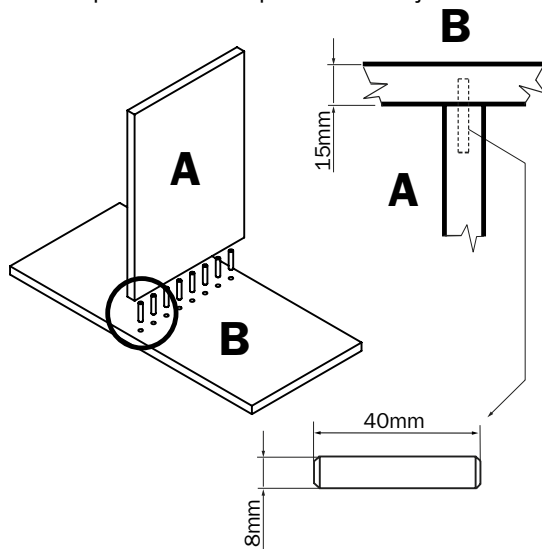


Fig. 3

- Antes de taladrar controle siempre que los mandriles de la plantilla adhieran perfectamente a los puntos de contacto de la pieza de trabajo.
- Haga corresponder siempre la plantilla a la pieza de trabajo partiendo del borde anterior.
- Antes de taladrar, controle la profundidad de taladrado.
- Si el agujero que se ha taladrado no es neto, hay que afilar la broca.

En la superficie de la pieza de trabajo en la que hay que taladrar los agujeros, dibuje una línea que vaya a través de la pieza de trabajo y pase por el centro de la pieza de trabajo vertical (**Fig. 4**).

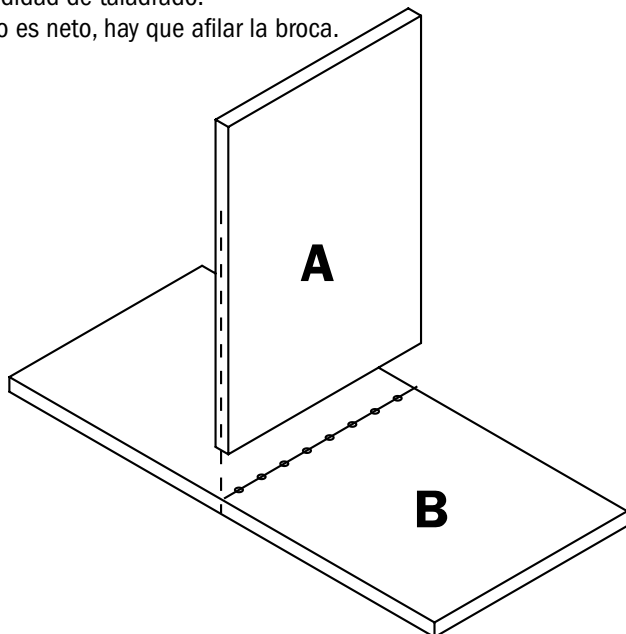


Fig. 4

Introduzca el tope en el agujero 0 en el margen de la plantilla. Coloque **CMT900** sobre la pieza de trabajo, de modo que el tope extremo quede en el borde anterior de la pieza de trabajo y el eje de los agujeros sobre la plantilla corresponda con la línea dibujada sobre la pieza de trabajo (**Fig. 5**).

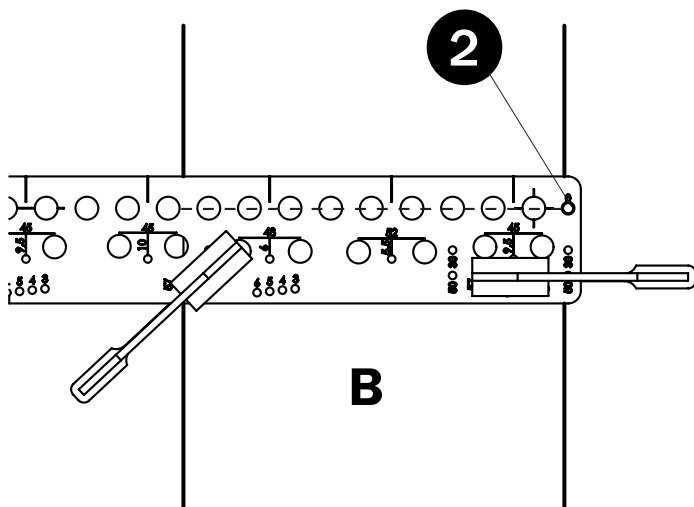


Fig. 5

Asegúrese de que el anillo de sujeción adhiera al borde anterior de la pieza de trabajo y el eje central de los agujeros sobre la plantilla atraviese la línea dibujada sobre la pieza de trabajo. En este momento, fije **CMT900** mediante unas mordazas. Ajuste a 15mm la profundidad de taladrado en el adaptador portabroca con grosor del material de 18mm. Ponga el adaptador portabroca con la broca correspondiente en los agujeros y empiece a taladrar los agujeros para las espigas (**Fig. 5**). Los agujeros más profundos se taladrarán de forma gradual; de esta manera será posible limpiarlos de las virutas. Mantenga la dirección correcta de la rotación: las brocas son de tipo dextrorro.

Taladrado de agujeros para los tornillos en la superficie

El procedimiento y la repartición de las piezas de trabajo es igual que los para la fabricación del empalme con espigas en la superficie. Utilice la broca de 7mm de diámetro para los agujeros pasantes. Establezca la profundidad de taladrado de modo que la broca taladre sin problemas el espesor del material.

Mantenga la dirección correcta de la rotación: las brocas son de tipo dextrorso.

Nota: Para la fabricación de empalmes con espigas o con tornillos en el borde, se aconseja utilizar la plantilla de taladrado CMT400 o CMT656.

Realización de empalme de tamaño mayor que la plantilla para taladrar

El procedimiento de la elaboración se ilustra en la imagen (Fig. 7).

Después de desmontado el tope extremo (pos. 2), se puede hacer avanzar la plantilla sobre el borde de la pieza de trabajo. El mandril de centrado sirve para la fijación del último agujero y para mantener el paso de 32mm (pos. 3/4/5). Junto con la plantilla se proveen los mandriles con diámetro de 8, 5 y 3mm. El procedimiento es igual que el de taladrado en la superficie, con la única diferencia de que el mandril de centrado se sustituye por el tope frontal. Para colocar la plantilla en la misma línea de los agujeros ya realizados, utilice los dos mandriles de centrado colocados a la máxima distancia posible uno del otro.

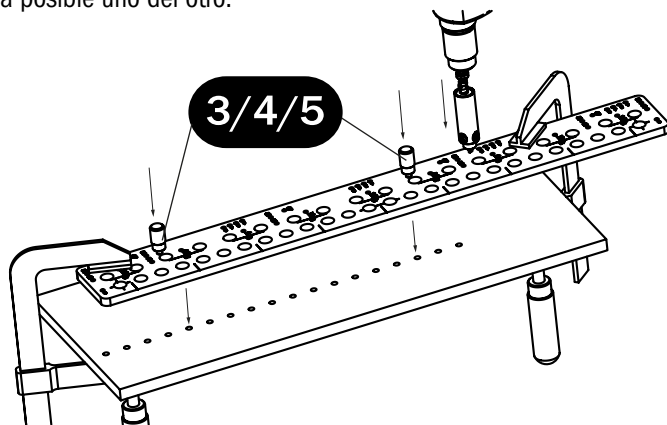


Fig. 7

¡¡¡ADVERTENCIA!!!

Durante el taladrado hay que presionar el adaptador portabroca sobre la plantilla para mantener la verticalidad. Para agarrar la cápsula, es posible utilizar la otra mano. Tenga el taladro siempre en posición vertical, de manera tal que la cápsula a copiar adhiera con toda su superficie a la superficie del **CMT900** y que se mantenga en todo momento la verticalidad. **¡Se aconseja taladrar los agujeros de forma gradual y cumplir con las instrucciones de seguridad para trabajar con el taladro!**

Taladrado de agujeros para soportes de estantes

En la imagen se indican la repartición y la pieza de trabajo lateral del cuerpo del armario (**Fig. 8**). El parámetro n en las figuras indica el número de agujeros a partir del segundo agujero desde el tope 0 (**Fig. 10 y 12**).

- Antes de taladrar controle siempre que los mandriles de la plantilla adhieran perfectamente a la pieza de trabajo.
- Haga corresponder siempre la plantilla a la pieza de trabajo partiendo de un borde (superior o inferior).
- Antes de taladrar, controle la profundidad de taladrado.
- Si el agujero que se ha taladrado no es neto, hay que afilar la broca.

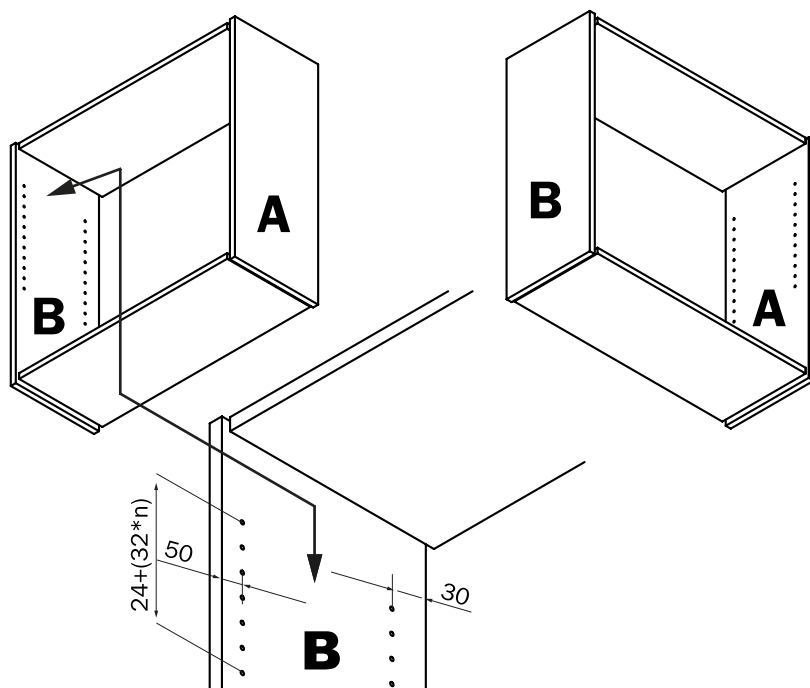


Fig. 8

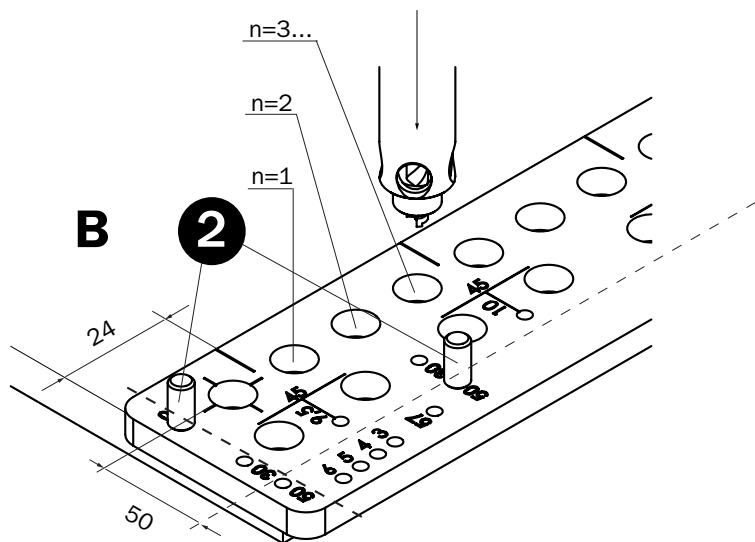


Fig. 10

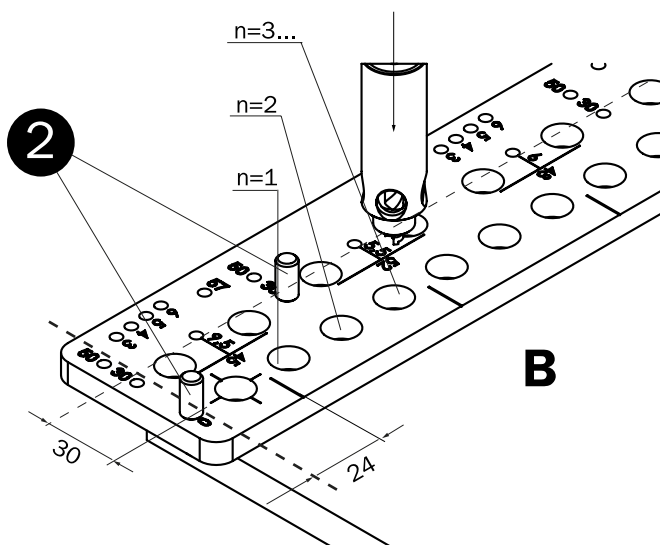


Fig. 12

Taladrado de agujeros para soportes de estantes partiendo desde el borde anterior

Introduzca dos mandriles (pos. 2) en los agujeros 50 y un tope (pos. 2) en el agujero 0 en el margen de la plantilla. Coloque **CMT900** sobre la pieza de trabajo de modo que los dos mandriles en los agujeros 50 adhieran al borde anterior de la pieza de trabajo y que el tope (pos. 2) en el agujero 0 adhiera al borde superior de la pieza de trabajo. Utilizando los agujeros 50, coloque los soportes para estantes a una distancia de 50mm del borde anterior. Utilice el adaptador portabroca **CMT400-1** con la broca para agujeros no pasantes, de acuerdo con el diámetro del soporte para estantes (**Fig. 9**).

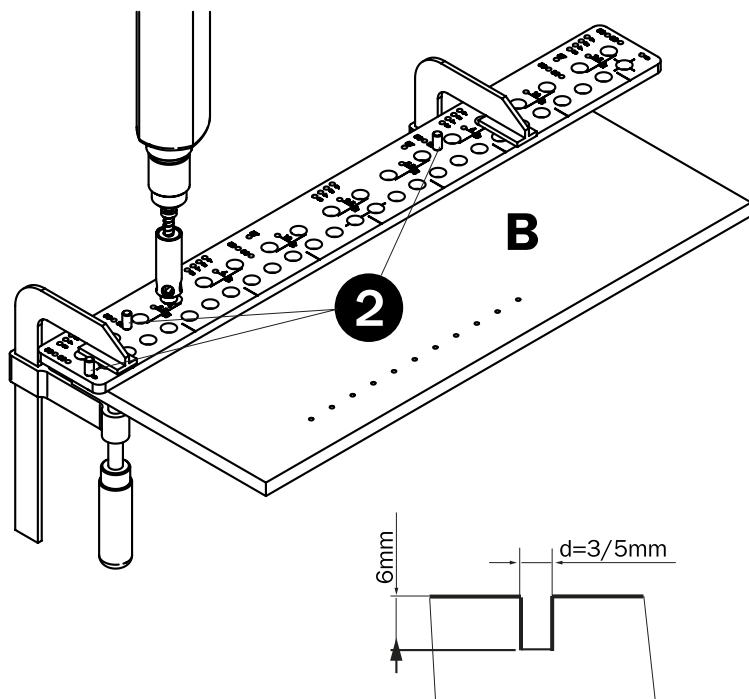


Fig. 9

Asegúrese de que los mandriles adhieran tanto al borde anterior como al borde superior de la tabla. Fije la plantilla de taladrado a la pieza de trabajo mediante unas mordazas. Ajuste a 8mm la profundidad de taladrado en el adaptador portabroca. Coloque el adaptador portabroca con la broca correspondiente en la fila de los agujeros principales y empiece a taladrar los agujeros para los soportes para estantes (**Fig. 10**). Mantenga la dirección correcta de la rotación: las brocas son de tipo dextrorso.

Si la distancia entre los agujeros y el tope 0 no le parece la distancia correcta, extraiga este tope de la plantilla **CMT900** y hágala avanzar según la distancia deseada. Los mandriles en los agujeros 50 deben quedar introducidos en la plantilla; la línea de orientación en los ejes de los agujeros facilita poner la distancia que se desee alcanzar.

Taladrado de agujeros para soportes de estantes partiendo del borde posterior

Introduzca dos mandriles (pos. 2) en los agujeros 30 y un tope en el agujero 0 en el margen de la plantilla. Coloque **CMT900** sobre la pieza de trabajo de modo que los dos mandriles en los agujeros 30 adhieran al borde posterior de la pieza de trabajo y que el tope en el agujero 0 adhiera al borde superior de la pieza de trabajo (**Fig. 11**). Utilizando los agujeros 30, coloque los soportes para estantes a una distancia de 30mm del borde posterior. Utilice el adaptador portabroca **CMT400-1** con la broca para los agujeros no pasantes de 3 ó 5mm de diámetro.

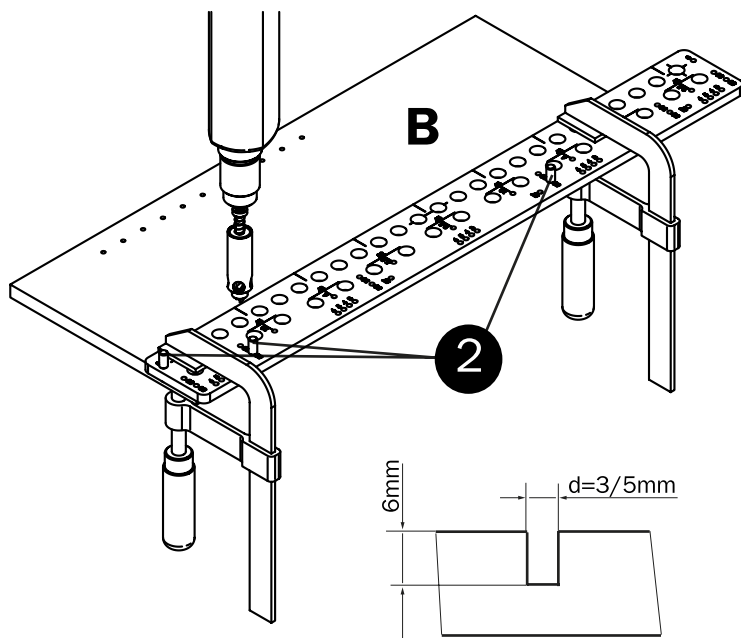


Fig. 11

Asegúrese de que los mandriles adhieran tanto al borde posterior como al borde superior de la tabla. Fije la plantilla de taladrado a la pieza de trabajo mediante unas mordazas. Ajuste a 8mm la profundidad de taladrado en el adaptador portabroca. Coloque el adaptador portabroca con la broca correspondiente en la fila de los agujeros principales y empiece a taladrar los agujeros para los soportes para estantes (**Fig. 12**). Mantenga la dirección correcta de la rotación: las brocas son de tipo dextrorso.

Si la distancia entre los agujeros y el tope 0 no le parece la distancia correcta, extraiga este tope de la plantilla **CMT900** y hágala avanzar según la distancia que se desee alcanzar. Los mandriles en los agujeros 30 deben quedar introducidos en la plantilla; la línea de orientación en los ejes de los agujeros facilita poner la distancia que se desee alcanzar.

Realización de empalme de tamaño mayor que la plantilla para taladrar

El procedimiento de trabajo se ilustra en la imagen (**Fig. 7**).

Después de desmontado el tope extremo (**pos. 2**), del agujero 0, se puede hacer avanzar la plantilla sobre el borde de la pieza de trabajo. Los mandriles de centrado, que están incluidos en el juego de base de la plantilla para taladrar **CMT900**, sirven para la fijación del último agujero y para mantener el paso de 32mm (**pos. 3/4/5**).

Los mandriles que se suministran tienen diámetro de 3 y 5mm. El procedimiento es igual que el de taladrado con el tope 0, la colocación de la plantilla sobre la pieza taladrada queda asegurada con el mandril de centrado y con los dos mandriles. Para colocar la plantilla en la misma línea de los agujeros ya realizados, utilice los dos mandriles de centrado colocados a la máxima distancia posible uno del otro.

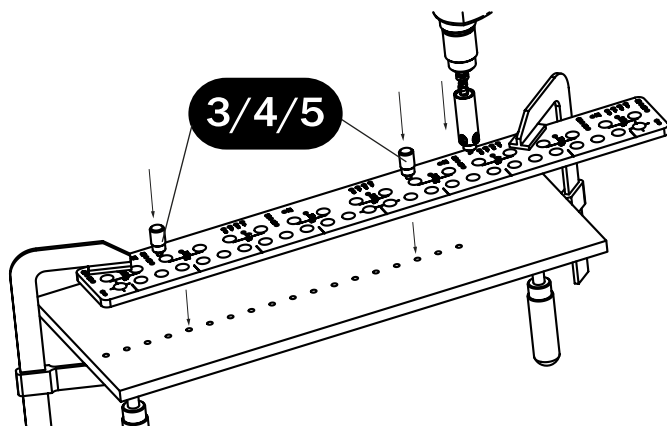


Fig. 7

Taladrado de agujeros para bisagras

La figura informativa (**Fig. 13**) refleja el taladrado de agujeros para bisagras.

- Antes de taladrar controle siempre que la plantilla adhiera perfectamente a la pieza de trabajo.
 - Haga corresponder siempre la plantilla a la pieza de trabajo partiendo del borde anterior.
- Antes de taladrar, controle la profundidad de taladrado.
- Si el agujero que se ha taladrado no es neto, hay que afilar la broca.

Lista de los pasos de las bisagras

Tornillos al pie de la bisagra: paso 32mm / desde el margen 37mm

Tornillo común y paso bisagra		
Fabricante	Paso tornillo T1	Paso quicio bisagra y tornillos T2
HETTICH	52mm	5.5mm
BLUM	45mm	9.5mm
FGV	48mm	6mm
INTEREX	45mm	9.5mm
TEKNO	45mm	10mm

Preparación de los componentes antes del taladrado, indicaciones de los ejes de las bisagras

En el parte lateral del cuerpo, desde la parte interior de la pieza de trabajo, indique los ejes de las bisagras y las distancias desde los bordes superior e inferior. Si fuera posible, es aconsejable utilizar la distancia de 120mm desde el margen de la pieza de trabajo. Coloque la puerta en la parte lateral, de modo que sobresalga de la misma distancia en ambos márgenes. Es ahora cuando es posible copiar los ejes de las bisagras NK en la parte interior de la puerta. Con una escuadra, dibuje los ejes de las bisagras a aproximadamente 150mm del margen de la parte lateral y de la puerta. La precisión de la indicación de las bisagras influirá en la colocación en la parte superior de la portezuela (**Fig. 13**).

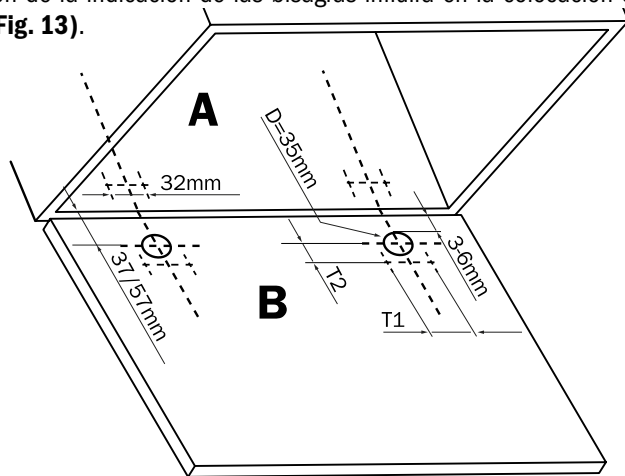


Fig. 13

Taladrado de agujeros en el cuerpo (bisagra introducida)

Introduzca dos mandriles (pos. 2) en dos agujeros arbitrarios en fila para indicar el centro de los quicios (**Fig. 14**). Coloque **CMT900** sobre la pieza de trabajo de modo que el eje central del paso elegido de la bisagra sobre la plantilla corresponda con el eje central sobre la pieza de trabajo y que los mandriles adhieran al borde anterior de la pieza de trabajo. Utilice el adaptador portabroca **CMT400-1** con la broca para agujeros no pasantes con diámetro de 3mm para tornillos para madera, o de 5mm para tornillos euro.

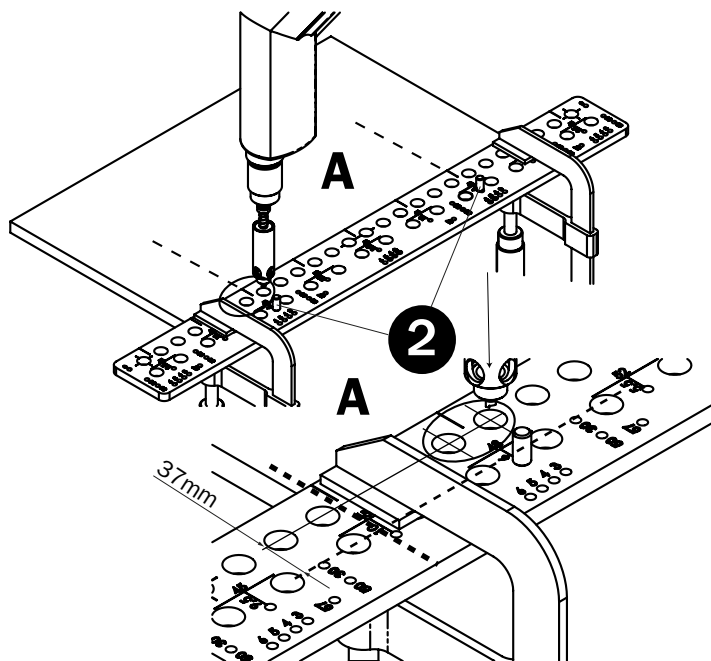


Fig. 14

Asegúrese de que los mandriles adhieran sobre el borde anterior de la tabla y que el eje de la bisagra sobre la plantilla de taladrado esté en el mismo punto que el eje de la bisagra sobre la pieza de trabajo. Fije la plantilla de taladrado al material a taladrar mediante unas mordazas. Ajuste la profundidad de taladrado en el adaptador portabroca de acuerdo con los tornillos utilizados. Introduzca el adaptador portabroca con la broca correspondiente en la fila de los agujeros principales y taladre un agujero a la derecha del eje y un agujero a la izquierda del eje (**detalle Fig. 14**). Mantenga la dirección correcta de la rotación: las brocas son de tipo dextrorso.

Taladrado de agujeros en el cuerpo (bisagra NK introducida)

Introduzca dos mandriles de metal (pos. 2) en los agujeros 57 (Fig. 15). Coloque **CMT900** sobre la pieza de trabajo de modo que el eje central del paso elegido de la bisagra sobre la plantilla corresponda con el eje central sobre la pieza de trabajo y que los mandriles adhieran al borde anterior de la pieza de trabajo. Utilice el adaptador portabroca **CMT400-1** con la broca para agujeros no pasantes con diámetro de 3mm para tornillos para madera, o de 5mm para tornillos euro.

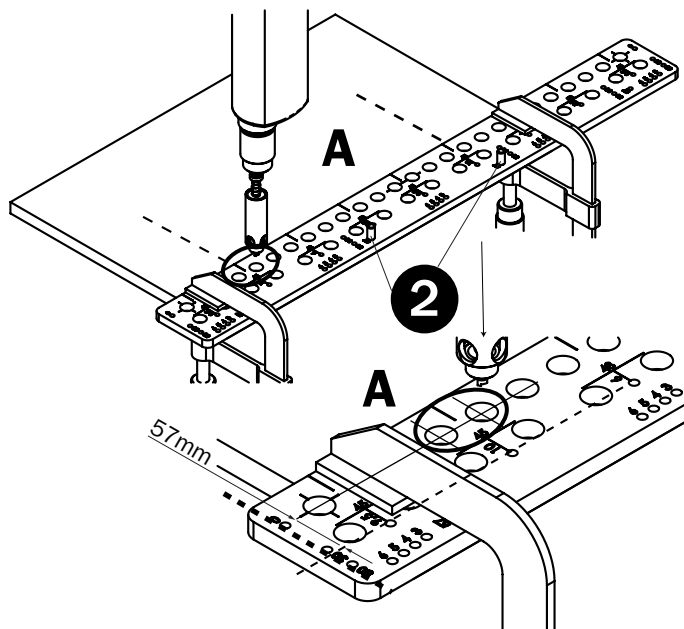


Fig. 15

Asegúrese de que los mandriles adhieran sobre el borde anterior de la tabla y que el eje de la bisagra sobre la plantilla de taladrado esté en el mismo punto que el eje de la bisagra sobre la pieza de trabajo. Fije la plantilla de taladrado al material a taladrar mediante unas mordazas. Ajuste la profundidad de taladrado en el adaptador portabroca de acuerdo con la longitud de los tornillos utilizados. Introduzca el adaptador portabroca con la broca correspondiente en la fila de los agujeros principales y taladre un agujero a la derecha del eje y un agujero a la izquierda del eje (detalle Fig. 15).

Mantenga la dirección correcta de la rotación: las brocas son de tipo dextrorso. Utilizando los agujeros 57 para los mandriles, se obtendrá un desplazamiento de 20mm del pie de la bisagra; por lo tanto su distancia desde el margen será de 57mm.

Taladrado de agujeros en la puerta e indicación del centro del quicio

Antes de empezar a taladrar, hay que individualizar los parámetros de los pasos de los tornillos, el desplazamiento del centro del quicio y la distancia aconsejada desde el quicio hasta el margen. Los parámetros para los tipos más utilizados de bisagras están indicados en la tabla anterior.

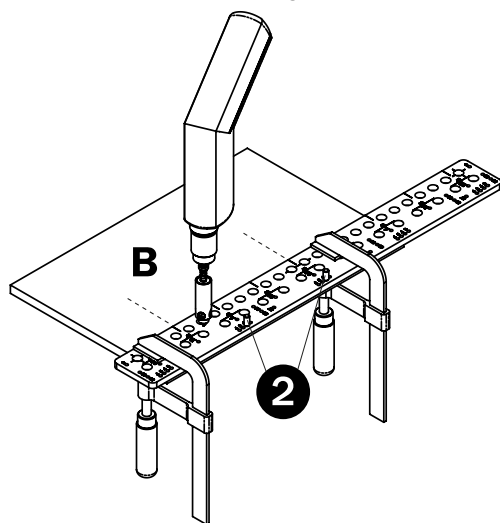


Fig. 16

Introduzca dos mandriles (pos. 2) con la serie de pasos más adecuada para la bisagra elegida (Fig. 16 e 17) en uno de los agujeros 3 - 6 (según la distancia elegida del quicio al borde). Coloque **CMT900** sobre la pieza de trabajo de modo que el eje central del paso elegido de la bisagra sobre la plantilla corresponda con el eje central sobre la pieza de trabajo y que los mandriles adhieran al borde anterior de la pieza de trabajo. Utilice el adaptador portabroca **CMT400-1** con la broca para agujeros no pasantes con diámetro de 3mm para tornillos para madera, de 5mm para tornillos euro o de 8mm para tacos de fijación rápida.

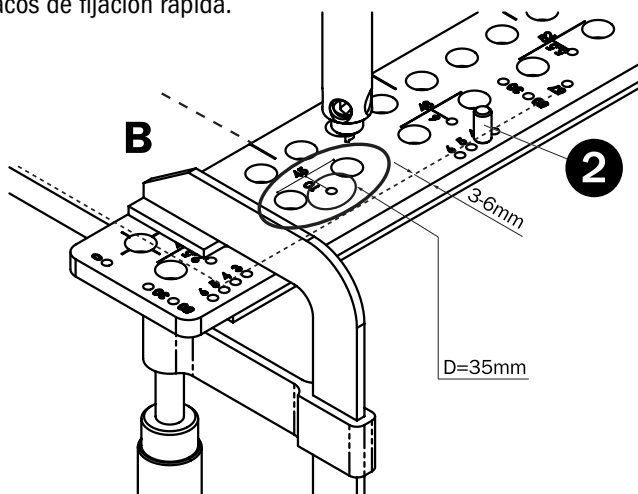


Fig. 17

Asegúrese de que los mandriles adhieran sobre el borde anterior de la tabla y que el eje de la bisagra sobre la plantilla de taladrado esté en el mismo punto que el eje de la bisagra sobre la pieza de trabajo. Fije la plantilla de taladrado al material a taladrar mediante unas mordazas. Ajuste la profundidad de taladrado en el adaptador portabroca de acuerdo con la longitud de los tornillos utilizados. Introduzca de forma gradual el adaptador portabroca con la broca correspondiente en dos agujeros de la bisagra utilizada y taladre un agujero a la derecha del eje y un agujero a la izquierda del eje (**véase detalle Fig. 17**). Mantenga la dirección correcta de la rotación: las brocas son de tipo dextrorso.

Mediante los agujeros 3, 4, 5 y 6 se establece la distancia que va desde el quicio hasta el borde de la puerta, los números indican la distancia del borde del agujero para el quicio con diámetro de 35mm desde el borde de la tabla.

Después de taladrados los agujeros para los tornillos para madera, indique el centro de la bisagra con el tope (**pos. 2**) con la broca en la parte final. Introduzca el tope en el agujero y lo golpee ligeramente desde arriba con un martillo para crear un agujero guía para la broca para bisagras (**Fig. 18**).

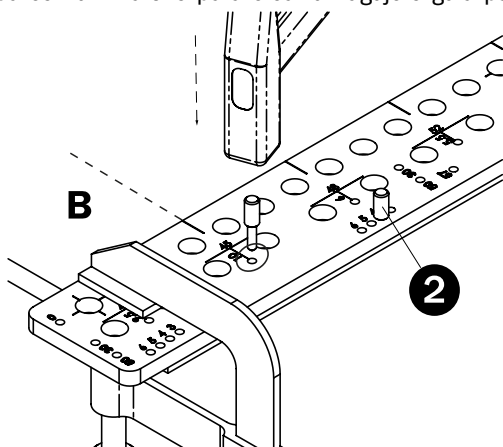


Fig. 18

Taladrado de agujeros para el quicio de la bisagra

Quite las mordazas y separe la plantilla de taladrado de la pieza de trabajo. Fije la broca para bisagras de 35mm en el taladro. Es ahora cuando hay que introducir la broca en el agujero de guía y taladrar un agujero de 35mm profundo 11mm.

Para taladrar un agujero de 35mmmm, se aconseja utilizar la broca para bisagras CMT 512.350.11.

¡¡¡ADVERTENCIA!!!

Durante el taladrado hay que presionar el adaptador portabroca sobre la plantilla para mantener la verticalidad. Para agarrar la cápsula, es posible utilizar la otra mano. Tenga el taladro siempre en posición vertical, de manera tal que la cápsula a copiar adhiera con toda su superficie a la superficie del **CMT400-1** y que se mantenga en todo momento la verticalidad. **¡Se aconseja taladrar los agujeros de forma gradual y cumplir con las instrucciones de seguridad para trabajar con el taladro!**

Seguridad

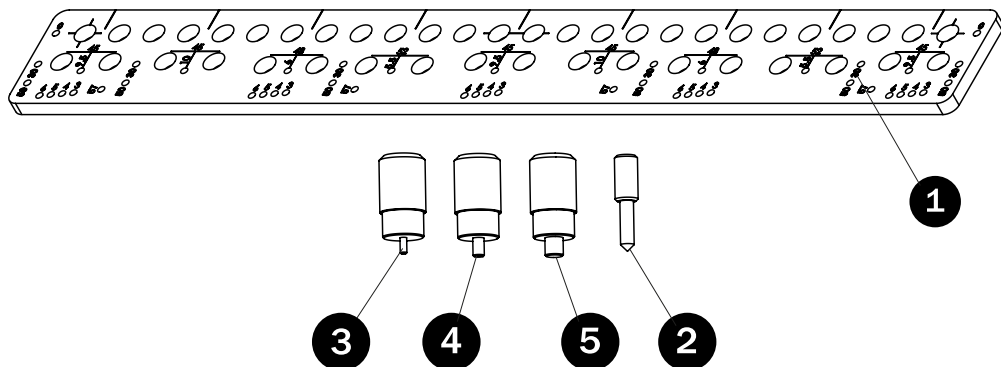
- 1 - Antes de cambiar la broca o cuando se ajusta la profundidad, apague siempre el taladro y lo desenchufe de la corriente eléctrica.
- 2 - No toque las partes giratorias durante las operaciones de taladrado.
- 3 - Utilice los dispositivos de protección para el oído.
- 4 - Utilice siempre la máscara antipolvo o el respirador.
- 5 - No se ponga indumentos anchos. Asegúrese de que las mangas anchas estén arremangadas o fijadas y no lleve corbata.
- 6 - Antes de encender el taladro, asegúrese de que la broca esté bien fijada y el anillo de sujeción esté bien apretado.
- 7 - Prevea el encendido involuntario del taladro. Antes de conectar el enchufe en el tomacorriente, asegúrese de que el interruptor no se encuentre en la posición "encendido".
- 8 - Antes de iniciar cualquier tipo de operación de ajuste o de cambio de instrumento, espere el apagado completo del taladro.

CMT900 - Lista de repuestos (véase pág. 22)			
Pos. #	Descripción	Cantidad	Código
1	Plantilla de taladrado	1	CMT900-01
2	Mandril de fijación con la punta D6/10mm	4	CMT900-04
3	Mandril de centraje D3/18mm	2	CMT900-13
4	Mandril de centraje D5/18mm	2	CMT900-15
5	Mandril de centraje D8/18mm	2	CMT900-18

CMT400-1 y CMT400-2 - Lista de repuestos (véase pág. 24)			
Pos. #	Descripción	Cantidad	Código
1	Cápsula de centraje con cojinetes para CMT400-1	1	CMT400-11
	Cápsula de centraje con cojinetes para CMT400-2	1	CMT400-21
2	Eje portabroca L125 para CMT400-1	1	CMT400-12
	Eje portabroca L140 para CMT400-2	1	CMT400-22
3	Anillo de tope D9/17x6mm	1	CMT400-13
4	Muelle elástico D10/12x65mm	1	CMT400-14
5-6	Tornillo de fijación M4x4mm	2	990.016.00
7	Llave hexagonal 2mm	1	991.060.00
8	Mandril de centraje D5mm para CMT400-2	1	CMT900-15
9	Mandril de centraje D7mm para CMT400-2	1	CMT900-17

SOMMAIRE	page
Description et utilisation du calibre de perçage CMT900	40
Description et utilisation de l'adaptateur porte-mèche CMT400-1	42
Réalisation d'assemblages à cheville ou à vis sur le plan	44
Perçage de trous pour supports d'étagères	47
Perçage de trous pour charnières	52
Sécurité et pièces de rechange	57

CMT900



Contenu de CMT900		Code
1)	Calibre de perçage en bakélite laminée	1 pièce CMT900-01
2)	Pitons de fixation en acier D6/D10mm avec mèche	4 pièces CMT900-04
3)	Doigts de centrage en acier D3/18mm	2 pièces CMT900-13
4)	Doigts de centrage en acier D5/18mm	2 pièces CMT900-15
5)	Doigts de centrage en acier D5/18mm	2 pièces CMT900-18

Description et utilisation du calibre de perçage CMT900

Tout le dispositif se compose d'un calibre de perçage **dessin 1** (avec des trous précis d'un diamètre de 18mm écartés de 32mm et avec des trous pour les charnières et pour les arrêts, des pitons de fixation **dessin 2** (avec la pointe pour l'indication du positionnement) et des doigts de centrage **dessins 3, 4 et 5** (pour le maintien du positionnement au cas où le calibre bougerait). Les trous réalisés pour les pitons présentent des nombres qui indiquent la dimension respective concernant la butée d'arrêt en question.

Le calibre de perçage **CMT900** doit être fixé au matériau percé avec des étaux.

Utilisation du calibre de perçage CMT900

Le calibre de perçage **CMT900** est destiné à la production d'assemblages à cheville avec du bois de 18-30mm d'épaisseur ou avec des vis de 40-50-60 avec du bois de 18-30mm d'épaisseur, pour l'exécution préliminaire de trous pour supports d'étagères de 3 et 5mm de diamètre et pour l'exécution de trous pour les vis à bois et pour les gonds des charnières. Pour ces opérations, il est nécessaire d'utiliser n'importe quel type de perceuse à main, à pile ou électrique et l'adaptateur porte-mèche **CMT400-1**. Grâce à la forme ingénieuse de la douille à percer, il est possible d'utiliser une vaste gamme de mèches pour exécuter des trous pour chevilles de différents diamètres. Tout le système se base sur l'utilisation du calibre de perçage avec l'adaptateur porte-mèche sur lequel la mèche est fixée. Grâce à la construction intelligente, à la précision extrême du calibre de perçage et de l'adaptateur porte-mèche, il est possible d'obtenir des résultats d'une qualité sans égale.

Équipement nécessaire pour utiliser le calibre:

Perceuse électrique ou à piles.

Adaptateur porte-mèche **CMT400-1**

Mèches pour trou borgne en HW (prise Ø8mm)

et mèches pour trou pour charnière HW (prise Ø10mm)

Mèches de perceuse à tranchant HW et avec pied de fixation S=8 mm

Code	Description	Utilisation
306.030.21	Ø3x30mm mèche trou borgne en HW	avec CMT400-1 pour trous borgnes
306.050.11	Ø5x30mm mèche trou borgne en HW	avec CMT400-1 pour trous borgnes
306.080.11	Ø8x30mm mèche trou borgne en HW	avec CMT400-1 pour trous borgnes
307.070.11	Ø7x40mm mèche trou borgne en HW	avec CMT400-1 pour trous ouverts pour vis
512.350.11	Ø35x90mm mèche trou borgne en HW	pour perçage de gonds pour charnière

Description de l'adaptateur porte-mèche CMT400-1

L'adaptateur porte-mèche se compose de la douille de centrage en duralumin et de la tige porte-mèche d'un diamètre de 9mm avec un trou de $\varnothing 8$ mm pour fixer les mèches.

La tige se trouve dans la douille de centrage où les roulements garantissent la plus haute précision de l'exécution. Pour la fixation, il y a un ressort et une bague de butée à bloquer avec une vis. La profondeur du perçage est programmée par la bague de réglage, tandis que l'extension de la profondeur est représentée sur la **Fig. 1**.

Une échelle avec crans écartés de 5mm permet de faciliter le réglage de la profondeur (**Fig. 1**).

CMT400-1

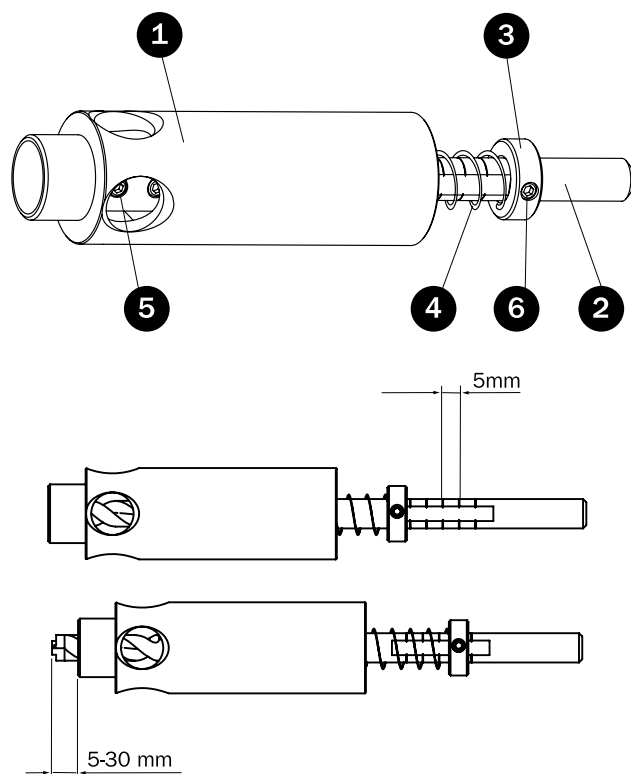


Fig. 1

Contenu de CMT400-1

1 pièce Adaptateur porte-mèche complet en duralumin

1 pièce Clé six-pans 2mm

Réglage de la profondeur de perçage CMT400-1

Le processus de réglage est représenté sur la **Fig. 2**. Fixer le matériau dans le calibre. Dans le trou de 18mm de diamètre, insérer l'adaptateur porte-mèche, de sorte que, après avoir exercé une pression sur le pied, la mèche de la perceuse s'appuie contre le matériau à percer. Dévisser la vis de la bague de réglage (la clé six-pans 2 est incluse dans le kit CMT400-1) et appuyer sur la bague dans le sens du dispositif de perçage, de manière à comprimer complètement le ressort (**Fig. 2A**). La mèche doit toujours toucher le matériau. Visser la vis de la bague d'arrêt et mesurer la distance entre le bord de la bague et l'extrémité du pied (**Fig. 2B**). De cette manière, le point zéro est programmé pour le réglage de la profondeur de perçage. Dévisser la vis de la bague d'arrêt, réduire la profondeur du perçage désiré de la valeur mesurée et régler cette valeur avec la bague d'arrêt sur le pied (**Fig. 2C**) en utilisant les calibres d'orientation. Le pas des calibres est de 5mm. Visser soigneusement la vis en respectant son diamètre (**Fig. 2D**).

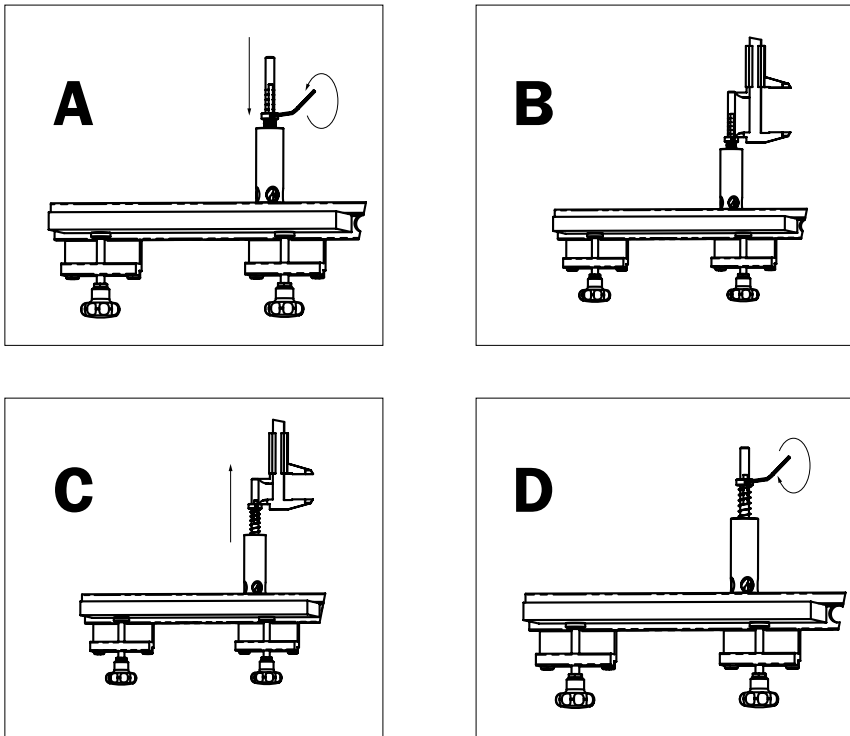


Fig. 2

Réalisation de trous pour chevilles sur le plan

La répartition des pièces à travailler de l'armoire est représentée sur la **Fig. 3**.

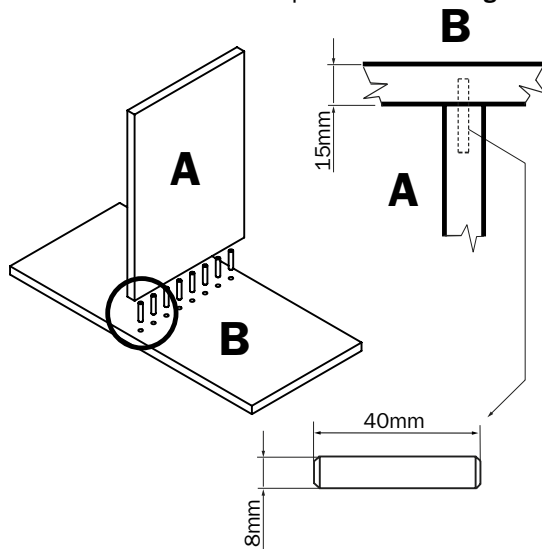


Fig. 3

- Avant de percer, veiller toujours à ce que les pivots du calibre adhèrent parfaitement aux points de contact de la pièce à travailler.
- Faire en sorte que le calibre coïncide toujours avec la pièce à travailler en partant du bord antérieur.
- Avant d'effectuer le perçage, contrôler la profondeur du trou.
- Si le trou effectué n'est pas net, il faut affûter la mèche.

Sur le plan de la pièce à travailler sur lequel on désire effectuer les trous, tracer une ligne traversant la pièce à travailler et passant au centre de la pièce à travailler verticale (**Fig. 4**).

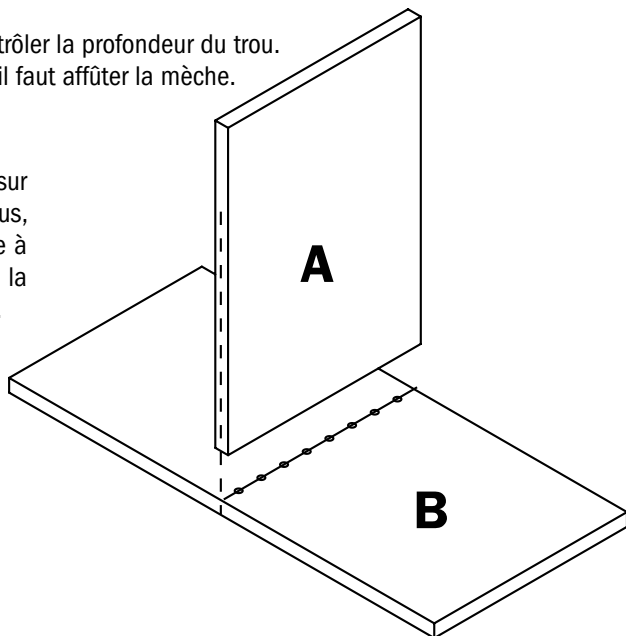


Fig. 4

Introduire la butée d'arrêt dans le trou 0 sur le bord du calibre. Placer le **CMT900** sur la pièce à travailler de façon à ce que la butée extrême se trouve sur le bord antérieur de la pièce à travailler et que l'axe des trous du calibre corresponde avec la ligne dessinée sur la pièce à travailler (**Fig. 5**).

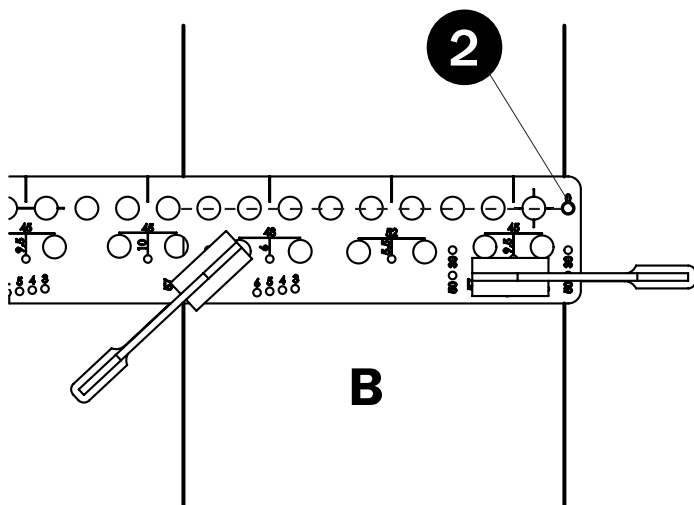


Fig. 5

S'assurer que l'anneau d'arrêt touche le bord antérieur de la pièce à travailler et que l'axe central des trous du calibre traverse la ligne tracée sur la pièce à travailler. Fixer alors le **CMT900** à l'aide d'étaux. Si le matériau à percer a 18mm d'épaisseur, régler la profondeur de perçage de l'adaptateur porte-mèche à 15mm. Mettre l'adaptateur porte-mèche avec la mèche correspondante dans les trous et commencer à effectuer les trous pour les chevilles (**Fig. 5**). Les trous les plus profonds doivent être effectués progressivement de façon à ne pas être encombrés de copeaux. Conserver le bon sens de rotation. Les mèches tournent vers la droite.

Réalisation de trous pour vis sur le plan

La procédure et la répartition des pièces à travailler sont identiques à celles de la réalisation de l'assemblage à chevilles sur le plan. Pour les trous ouverts, utiliser la mèche de 7mm de diamètre. Régler la profondeur du perçage de façon à ce que mèche perce, sans problèmes, l'épaisseur du matériau.

Conserver le bon sens de rotation. Les mèches tournent vers la droite.

Remarque: Pour la réalisation d'assemblages à chevilles ou à vis dans le bord, il est conseillé d'utiliser le dispositif de perçage CMT400 ou CMT656.

Réalisation d'un assemblage de dimensions supérieures à celles du calibre de perçage.

Le processus d'usinage est représenté sur la **Fig. 7**.

Après avoir démonté la butée d'arrêt du bord (**rep. 2**), il est possible d'avancer le calibre sur le bord de la pièce à travailler. Le doigt de centrage sert pour la fixation du dernier trou et pour le maintien de l'écartement à 32mm (**rep. 3/4/5**). Le calibre est fourni avec des doigts de 8mm, 5mm et 3mm de diamètre. Le processus est le même que pour le perçage en plan. La seule différence est que le doigt de centrage est remplacé par la butée d'arrêt frontal. Pour placer le calibre en ligne avec les trous déjà effectués, utiliser les deux doigts de centrage situés le plus près possible l'un de l'autre.

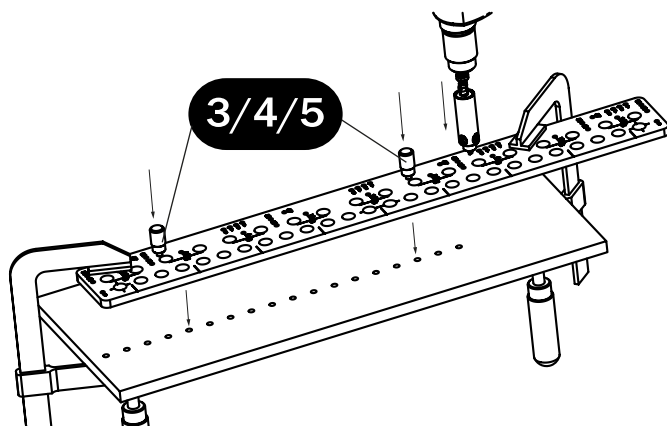


Fig. 7

AVERTISSEMENT!!!

Pendant le perçage, il faut appuyer l'adaptateur porte-mèche contre le calibre de manière à maintenir la verticalité. Pour maintenir la douille en place, il est possible d'utiliser l'autre main. Tenir toujours la perceuse à la verticale de manière à ce que la douille à copier adhère bien à toute la surface du dispositif **CMT900** et que la verticalité soit garantie. **Il est conseillé d'effectuer les trous graduellement et de suivre les instructions de sécurité pour le travail avec la perceuse.**

Réalisation de trous pour supports d'étagères

La répartition et la pièce à travailler latérale du corps de l'armoire sont présentées sur la **Fig. 8**. Sur les figures, le paramètre n indique le nombre de trous présents à partir du deuxième trou après la butée d'arrêt 0 (**Fig. 10 et 12**).

- Avant de percer, veiller toujours à ce que les pivots du calibre adhèrent parfaitement à la pièce à travailler.
- Faire en sorte que le calibre coïncide toujours avec la pièce à travailler en partant du bord (supérieur ou inférieur).
- Avant d'effectuer le perçage, contrôler la profondeur du trou.
- Si le trou effectué n'est pas net, il faut affûter la mèche.

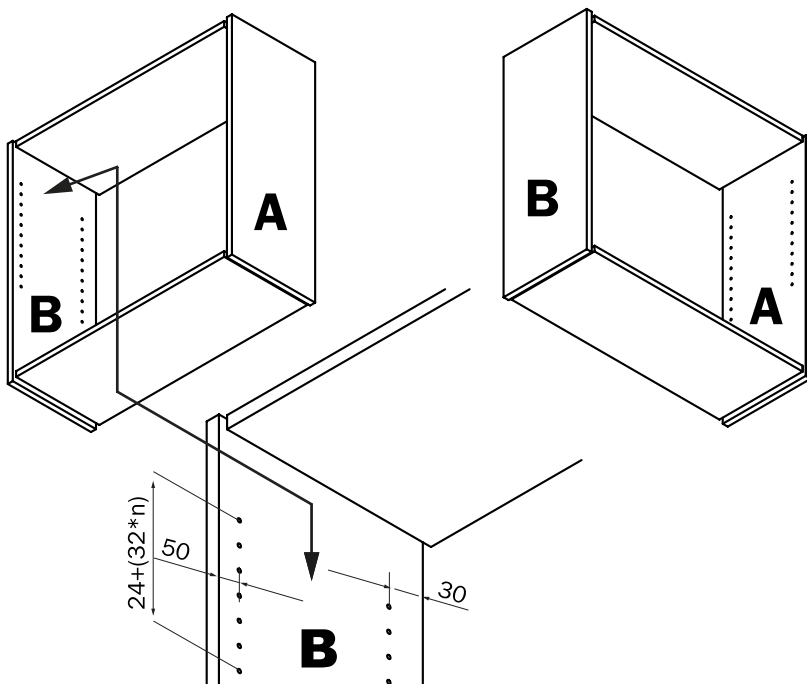


Fig. 8

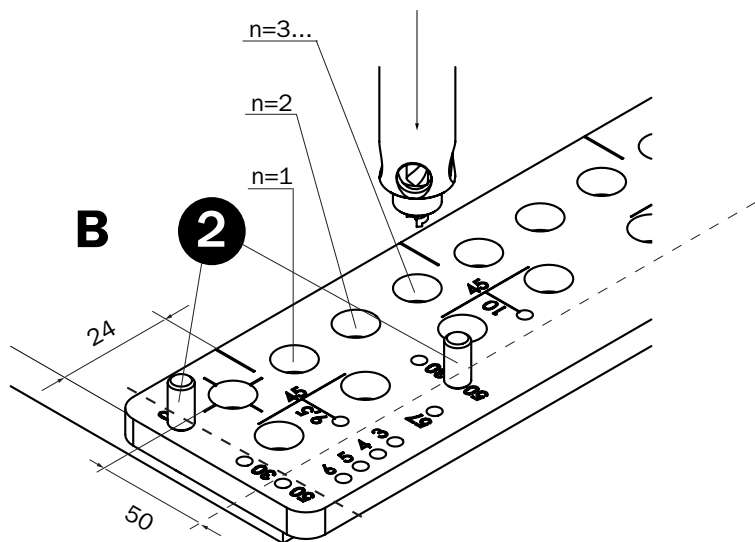


Fig. 10

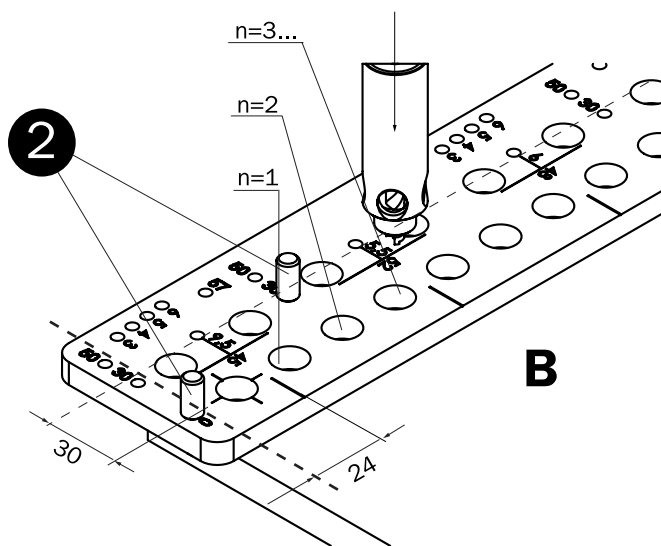


Fig. 12

Réalisation de trous pour supports d'étagères à partir du bord antérieur

Insérer deux pitons (rep. 2) dans les trous 50 et une butée d'arrêt (rep. 2) dans le trou 0 au bord du calibre. Positionner **CMT900** sur la pièce à travailler, de façon à ce que les deux pitons présents dans les trous 50 adhèrent au bord antérieur de la pièce à travailler et que la butée d'arrêt (rep. 2) présente dans le trou 0 adhère au bord supérieur de la pièce à travailler. En utilisant les trous 50, placer les supports des étagères à 50mm du bord antérieur. Utiliser l'adaptateur porte-mèche **CMT400-1**, avec la mèche pour trous borgnes selon le diamètre du support d'étagères (**Fig. 9**).

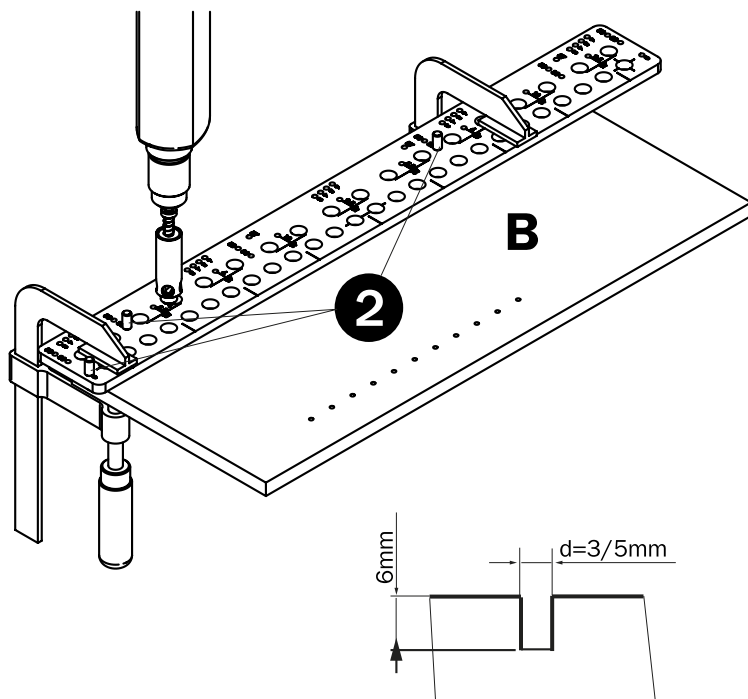


Fig. 9

Veiller à ce que les pitons adhèrent au bord antérieur et au bord supérieur du panneau. Fixer le calibre de perçage sur la pièce à travailler au moyen d'étau. Sur l'adaptateur porte-mèche, régler la profondeur du perçage à 8mm. Mettre l'adaptateur porte-mèche avec la mèche correspondante dans la rangée de trous principale et commencer à réaliser les trous pour les supports d'étagères (**Fig. 10**).

Conservé le bon sens de rotation. Les mèches tournent vers la droite.

Si la distance entre les trous et la butée 0 ne semble pas appropriée, enlever cette butée du calibre **CMT900** et la faire avancer en fonction de la distance désirée. Les pitons présents dans les trous 50 doivent rester insérés dans le calibre. Le réglage de la distance désirée est facilité par l'existence de la ligne d'orientation dans les axes des trous.

Réalisation de trous pour supports d'étagères à partir du bord postérieur

Insérer deux pitons (rep. 2) dans les trous 30 et une butée d'arrêt dans le trou 0 au bord du calibre. Positionner **CMT900** sur la pièce à travailler, de façon à ce que les deux pitons présents dans les trous 30 adhèrent au bord postérieur de la pièce à travailler et que la butée d'arrêt présente dans le trou 0 adhère au bord supérieur de la pièce à travailler (**Fig. 11**). En utilisant les trous 30, placer les supports des étagères à 30mm du bord postérieur. Utiliser l'adaptateur porte-mèche **CMT400-1** avec la mèche pour les trous borgnes de 3 ou de 5mm de diamètre.

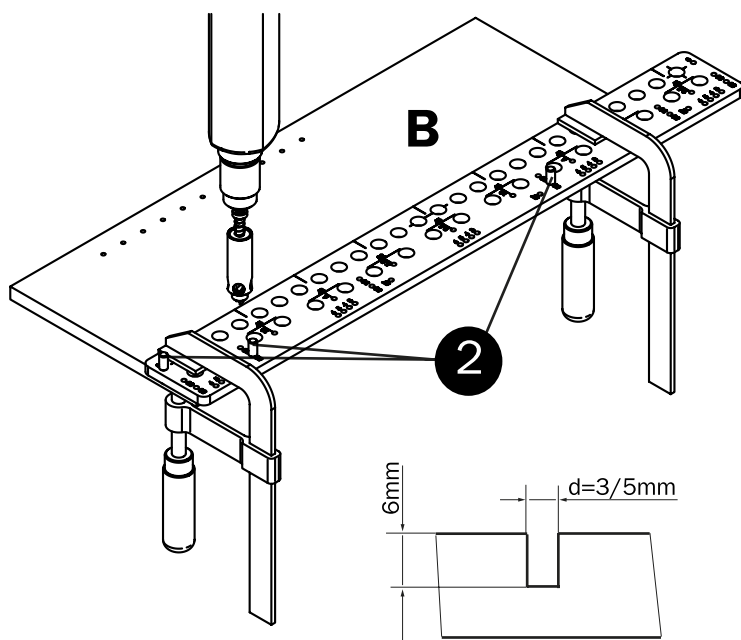


Fig. 11

Veiller à ce que les pitons adhèrent au bord postérieur et au bord supérieur du panneau.

Fixer le calibre de perçage sur la pièce à travailler au moyen d'étau. Sur l'adaptateur porte-mèche, régler la profondeur du perçage à 8mm. Mettre l'adaptateur porte-mèche avec la mèche correspondante dans la rangée de trous principale et commencer à réaliser les trous pour les supports d'étagères (**Fig. 12**). Conserver le bon sens de rotation. Les mèches tournent vers la droite.

Si la distance entre les trous et la butée 0 ne semble pas appropriée, enlever cette butée du calibre **CMT900** et la faire avancer en fonction de la distance désirée. Les pitons présents dans les trous 30 doivent rester insérés dans le calibre. Le réglage de la distance désirée est facilité par l'existence de la ligne d'orientation dans les axes des trous.

Réalisation d'un assemblage de dimensions supérieures à celles du calibre de perçage.

Le processus d'usinage est représenté sur la **Fig. 7**.

Après avoir démonté la butée d'arrêt du bord (rep. 2) du trou 0, il est possible de l'avancer sur le bord de la pièce à travailler. Les doigts de centrage inclus dans le kit de base du calibre de perçage **CMT900** servent pour la fixation du dernier trou et pour maintenir l'écartement de 32mm (rep. 3/4/5).

Les doigts qui sont fournis sont de 3 et 5mm de diamètre. Le processus est le même que pour le trou avec l'arrêt 0. Le positionnement du dispositif sur le composant est garanti par le doigt de centrage et par deux pitons. Pour placer le calibre en ligne avec les trous déjà effectués, utiliser les deux doigts de centrage situés le plus près possible l'un de l'autre.

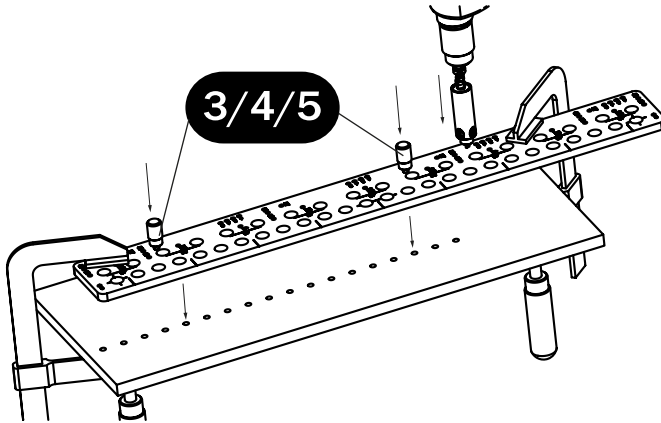


Fig. 7

Réalisation de trous pour charnières

La figure de données (**Fig. 13**) représente la réalisation de trous pour charnières.

- Avant d'effectuer le trou, veiller toujours à ce que le calibre adhère parfaitement à la pièce à travailler.
- Faire en sorte que le calibre coïncide toujours avec la pièce à travailler en partant du bord antérieur.
- Avant d'effectuer le perçage, contrôler la profondeur du trou.
- Si le trou effectué n'est pas net, il faut affûter la mèche.

Liste des écartements pour les charnières

Vis au pied de la charnière: écartement 32mm / du bord 37mm

Vis commune et écartement de la charnière à godet		
Fabricant	Écartement pour vis T1	Écartement gond charnière et vis T2
HETTICH	52mm	5.5mm
BLUM	45mm	9.5mm
FGV	48mm	6mm
INTEREX	45mm	9.5mm
TEKNO	45mm <td 10mm	

Préparation des pièces avant le perçage et indication des axes des charnières

Sur le côté latéral du corps, dans la partie intérieure de la pièce à travailler, indiquer les axes des charnières et les distances par rapport au bord supérieur et inférieur. Si cela est possible, utiliser la distance de 120mm par rapport au bord de la pièce à travailler. Placer la porte contre le côté latéral de façon à ce qu'il y ait les mêmes distances par rapport aux deux bords. Copier alors les axes des charnières sur la partie intérieure de la porte. A l'aide d'une équerre, tracer les axes des charnières à environ 150mm du bord du côté de la porte. La précision de l'indication des charnières aura un effet sur le positionnement de la porte vers le haut (**Fig. 13**).

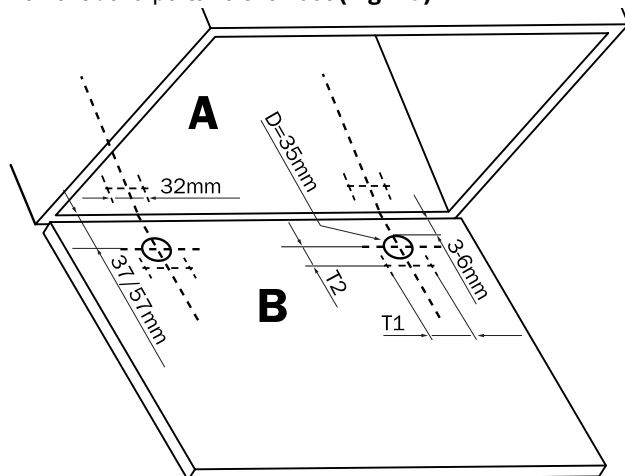


Fig. 13

Réalisation des trous dans le corps (charnière insérée)

Insérer deux pitons (rep. 2) dans deux trous pris au hasard dans une rangée pour indiquer le centre des gonds (**Fig. 14**). Placer **CMT900** sur la pièce à travailler de façon à ce que l'axe central de l'écartement choisi sur le calibre pour la charnière corresponde à l'axe central de la pièce à travailler et que les pitons touchent le bord antérieur de la pièce à travailler. Utiliser la douille de perçage **CMT400-1** avec la mèche pour les trous borgnes du diamètre de 3mm pour les vis à bois ou de 5mm pour les vis euro.

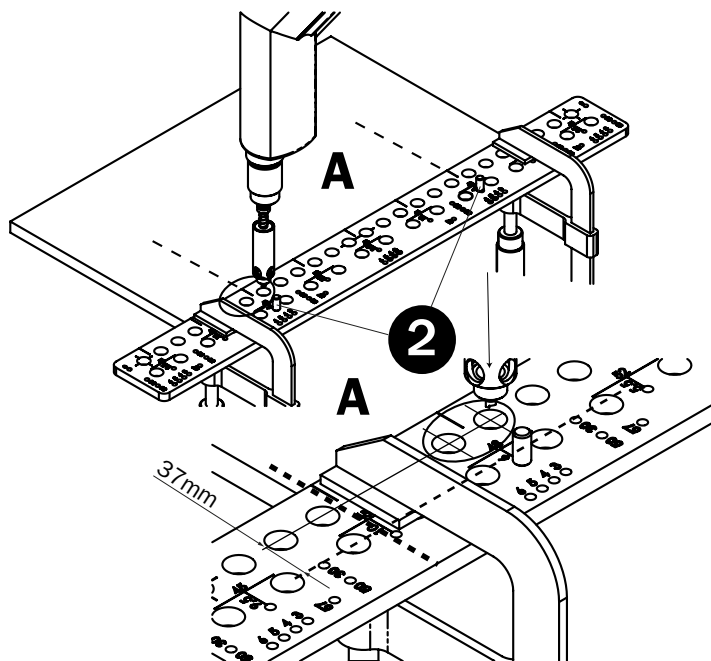


Fig. 14

S'assurer que les pitons adhèrent au bord antérieur du panneau et que, sur le calibre de perçage, l'axe de la charnière se trouve au même endroit que l'axe de la charnière sur la pièce à travailler. Fixer le calibre de perçage sur le matériau à percer au moyen d'étau. Régler la profondeur du trou sur l'adaptateur porte-mèche selon les vis utilisées. Insérer l'adaptateur porte-mèche avec la mèche correspondante dans la rangée de trous principale et effectuer un trou à droite de l'axe et un trou à gauche (**voir Fig. 14**). Conserver le bon sens de rotation. Les mèches tournent vers la droite.

Réalisation des trous dans le corps (charnière NK insérée)

Insérer deux pitons de métal (rep. 2) dans les trous 57 (Fig. 15). Placer **CMT900** sur la pièce à travailler de façon à ce que l'axe central de l'écartement choisi sur le calibre pour la charnière corresponde à l'axe central de la pièce à travailler et que les pitons touchent le bord antérieur de la pièce à travailler. Utiliser la douille de perçage **CMT400-1** avec la mèche pour les trous borgnes du diamètre de 3mm pour les vis à bois ou de 5mm pour les vis euro.

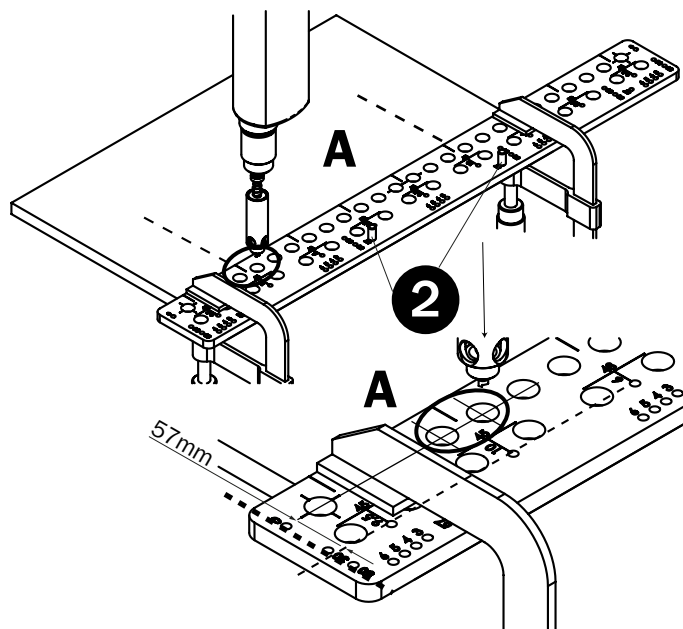


Fig. 15

S'assurer que les pitons adhèrent au bord antérieur du panneau et que, sur le calibre de perçage, l'axe de la charnière se trouve au même endroit que l'axe de la charnière sur la pièce à travailler. Fixer le calibre de perçage sur le matériau à percer au moyen d'étaux. Régler la profondeur du trou sur l'adaptateur porte-mèche selon la longueur des vis utilisées. Insérer l'adaptateur porte-mèche avec la mèche correspondante dans la rangée de trous principale et effectuer un trou à droite de l'axe et un trou à gauche (voir Fig. 15).

Conserver le bon sens de rotation. Les mèches tournent vers la droite. En utilisant les trous 57 pour les pitons, on obtient un écartement de 20mm du pied de la charnière. La distance entre le pied et le bord est donc de 57mm.

Exécution des trous dans la porte et indication du centre du gond

Avant de commencer à percer, il faut identifier les paramètres des pas des vis, l'écartement du centre du gond et la distance conseillée entre le gond et le bord. Les paramètres pour les types de charnières les plus utilisés sont indiqués dans le tableau mentionné précédemment.

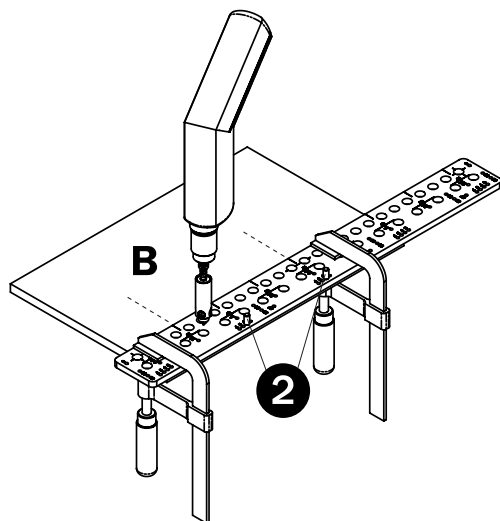


Fig. 16

Insérer deux pitons (rep. 2) avec la série d'écartements la plus indiquée pour la charnière choisie (Fig. 16 et 17) dans l'un des trous 3 - 6 (selon la distance choisie entre le gond et le bord). Placer **CMT900** sur la pièce à travailler de façon à ce que l'axe central de l'écartement choisi sur le calibre pour la charnière corresponde à l'axe central de la pièce à travailler et que les pitons touchent le bord antérieur de la pièce à travailler. Utiliser l'adaptateur porte-mèche **CMT400-1** avec la mèche pour les trous borgnes du diamètre de 3mm pour les vis à bois, de 5mm pour les vis euro ou de 8mm pour les chevilles à fixation rapide.

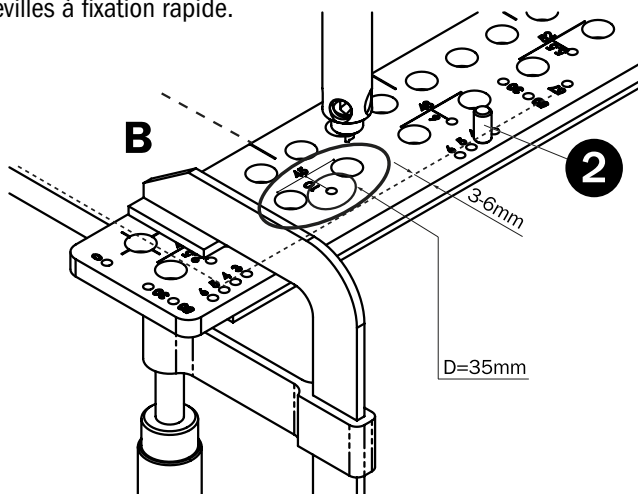


Fig. 17

S'assurer que les pitons adhèrent au bord antérieur du panneau et que, sur le calibre de perçage, l'axe de la charnière se trouve au même endroit que l'axe de la charnière sur la pièce à travailler. Fixer le calibre de perçage sur le matériau à percer au moyen d'étau. Régler la profondeur du trou sur l'adaptateur porte-mèche selon la longueur des vis utilisées. Insérer progressivement l'adaptateur porte-mèche avec la mèche correspondante dans deux trous de la charnière utilisée et effectuer un trou à droite de l'axe et un trou à gauche (**voir Fig. 17**). Conserver le bon sens de rotation.

Les mèches tournent vers la droite.

Les trous 3, 4, 5 et 6 servent à régler la distance entre le gond et le bord de la porte.

Les nombres indiquent la distance entre le bord du trou réalisé pour le gond de 35mm de diamètre et le bord du panneau.

Après avoir effectué les trous les vis à bois, indiquer le centre du gond avec la butée d'arrêt (**rep. 2**) avec la mèche à la fin. Insérer la butée d'arrêt dans le trou et taper légèrement sur le haut de la butée avec un marteau de manière à réaliser un trou de guidage pour la mèche pour charnières. (**Fig. 18**).

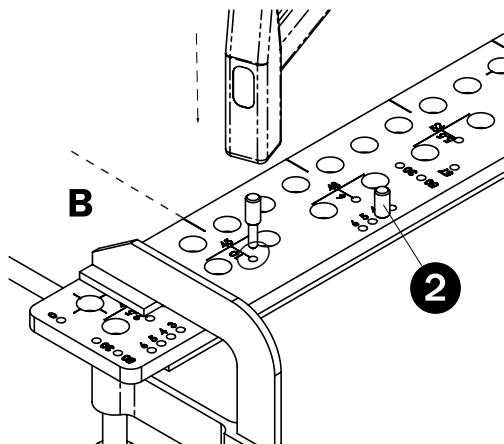


Fig. 18

Réalisation de trous pour le gond de la charnière

Retirer les étaux et séparer le calibre perçage de la pièce à travailler. Fixer la mèche pour charnières de 35mm dans la perceuse. Introduire alors la mèche de guidage de la porte et effectuer un trou de 35mm et d'une profondeur de 11mm.

Pour exécuter le trou de 35mm, il est conseillé d'utiliser la mèche pour charnières CMT 512.250.11.

AVERTISSEMENT!!!

Pendant le perçage, il faut appuyer l'adaptateur porte-mèche contre le calibre de manière à maintenir la verticalité. Pour maintenir la douille en place, il est possible d'utiliser l'autre main. Tenir toujours la perceuse à la verticale de manière à ce que la douille à copier adhère bien à toute la surface du dispositif **CMT400-1** et que la verticalité soit garantie. **Il est conseillé d'effectuer les trous graduellement et de suivre les instructions de sécurité pour le travail avec la perceuse.**

Sécurité

- 1 - Avant de changer la mèche ou pendant le réglage de la profondeur, éteindre toujours la perceuse et la débrancher de la prise électrique.
- 2 - Ne pas toucher aux pièces rotatives pendant le perçage.
- 3 - Utiliser des dispositifs de protection de l'ouïe.
- 4 - Utiliser toujours un masque contre la poussière ou un appareil de respiration.
- 5 - Ne pas porter de vêtements amples. S'assurer que les manches longues sont retroussées ou fixées. Ne pas porter de cravate.
- 6 - Avant de mettre la perceuse en marche, s'assurer que la mèche est bien fixée et que la bague d'arrêt est bien serrée.
- 7 - Penser au démarrage accidentel de la perceuse. Avant de brancher la fiche à la prise de courant, s'assurer que l'interrupteur n'est pas sur la position « Allumé ».
- 8 - Avant d'entreprendre toute opération d'ajustage ou de changement d'outil, attendre que la perceuse soit complètement arrêtée.

CMT900 - Liste des pièces de rechange (voir page 40)

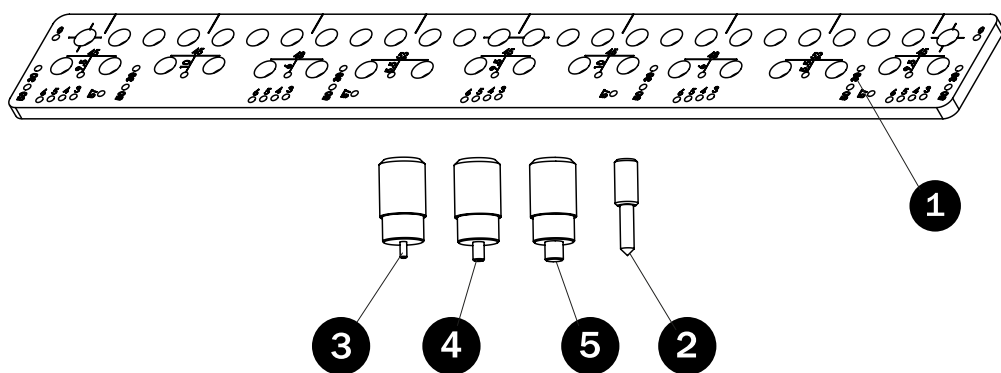
Pos. #	Description	Quantité	Code
1	Calibre de perçage	1	CMT900-01
2	Piton de fixation avec la mèche D6/10mm	4	CMT900-04
3	Doigt de centrage D3/18mm	2	CMT900-13
4	Doigt de centrage D5/18mm	2	CMT900-15
5	Doigt de centrage D8/18mm	2	CMT900-18

CMT400-1 et CMT400-2 - Liste des pièces de rechange (voir page 42)

Pos. #	Description	Quantité	Code
1	Douille de centrage avec roulements pour CMT400-1	1	CMT400-11
	Douille de centrage avec roulements pour CMT400-2	1	CMT400-21
2	Tige porte-mèche L125 pour CMT400-1	1	CMT400-12
	Tige porte-mèche L140 pour CMT400-2	1	CMT400-22
3	Bague de butée Ø9/17x6mm	1	CMT400-13
4	Ressort élastique Ø10/12x65mm	1	CMT400-14
5-6	Vis de fixation STEI M4x4mm	2	990.016.00
7	Clé six-pans 2mm	1	991.060.00
8	Doigt de centrage D5mm pour CMT400-2	1	CMT900-15
9	Doigt de centrage D7mm pour CMT400-2	1	CMT900-17

INDICE	pagina
Descrizione e uso dima di foratura CMT900	58
Descrizione e uso adattatore portapunta CMT400-1	60
Costruzione di giunzioni a perno o a vite nel piano	62
Foratura per reggiscaffali	65
Foratura per cerniere	70
Sicurezza e lista ricambi	75

CMT900



Contenuto CMT900	Codice
1) Dima di foratura di bachelite laminato	1 pz. CMT900-01
2) Perni di fissaggio in acciaio D6/D10mm con la punta	4 pz. CMT900-04
3) Perni di centraggio di acciaio D3/18mm	2 pz. CMT900-13
4) Perni di centraggio di acciaio D5/18mm	2 pz. CMT900-15
5) Perni di centraggio di acciaio D8/18mm	2 pz. CMT900-18

Descrizione della dima di foratura CMT900

L'intero meccanismo è composto da una dima di foratura **dis. 1** (con fori precisi del diametro di 18mm con il passo di 32mm, più da fori per le cerniere e fori per perni), dai perni di fissaggio **dis. 2** (con la punta per l'indicazione del posizionamento) e dai perni di centraggio **dis. 3,4,5** (per il mantenimento del posizionamento nel caso di spostamento della dima). I fori per i perni sono marcati con numeri i quali indicano la dimensione rispettiva riguardante il perno d'arresto.

La dima di foratura **CMT900** deve essere fissata al materiale forato con dei morsetti.

Uso della dima di foratura CMT900

La dima di foratura **CMT900** è destinata alla produzione di giunzioni a perno con lo spessore del legno di 18-30mm o a viti da 40-50-60mm con lo spessore del legno di 18-30mm, per l'esecuzione preliminare di fori per reggiscaffali da Ø3mm e Ø5mm e per eseguire fori per viti da legno e dei cardini delle cerniere. Per queste operazioni è necessario l'utilizzo di un tipo arbitrario di trapano a mano, a batteria o elettrico e dell'adattatore portapunta **CMT400-1**. Grazie alla forma ingegnosa della capsula per forare è possibile usare una vasta gamma di punte per eseguire fori per perni di vari diametri. Tutto il sistema si basa sull'utilizzo della dima di foratura con l'adattatore portapunta in cui è fissata la punta. Grazie alla costruzione intelligente, alla precisione massima della dima di foratura e dell'adattatore portapunta potete ottenere una qualità unica dei vostri prodotti.

Per poter usare la dima serve:

Trapano elettrico o a batteria

Adattatore portapunta CMT400-1

Punte foro cieco in HW (attacco Ø8mm) e punte foro cerniera HW (attacco Ø10mm)

Punte da trapano con il tagliente HW e con il gambo per fissaggio S=8mm

Codice	Descrizione	Utilizzo
306.030.21	Ø3x30mm punta foro cieco in HW	con CMT400-1 per fori cechi
306.050.11	Ø5x30mm punta foro cieco in HW	con CMT400-1 per fori cechi
306.080.11	Ø8x30mm punta foro cieco in HW	con CMT400-1 per fori cechi
307.070.11	Ø7x40mm punta foro cieco in HW	con CMT400-1 per fori passanti per viti
512.350.11	Ø35x90mm punta foro cerniera in HW	per foratura cardine cerniera

Descrizione dell'adattatore portapunta CMT400-1

L'adattatore portapunta è composto dalla capsula di centraggio di duralluminio e dall'albero portapunta di Ø9mm con un foro da Ø8mm per fissare le punte.

L'albero è posto nella capsula di centraggio, dove i cuscinetti assicurano la massima precisione di esecuzione. Per il fissaggio c'è una molla e un anello di battuta da bloccare con una vite.

La profondità della foratura si imposta con l'anello di regolazione, l'estensione della profondità è rappresentata nella **Fig. 1**.

Per facilitare l'impostazione della profondità c'è una scala incisa ogni 5mm (**Fig. 1**).

CMT400-1

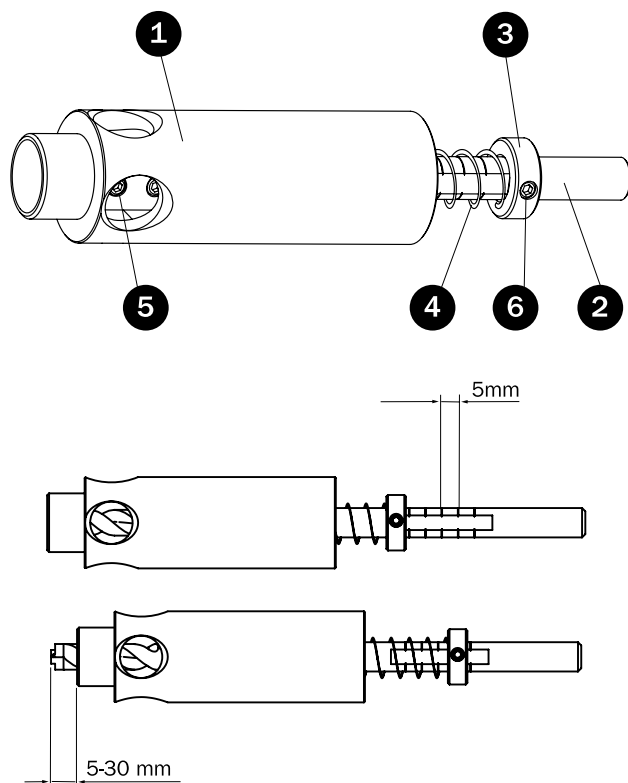


Fig. 1

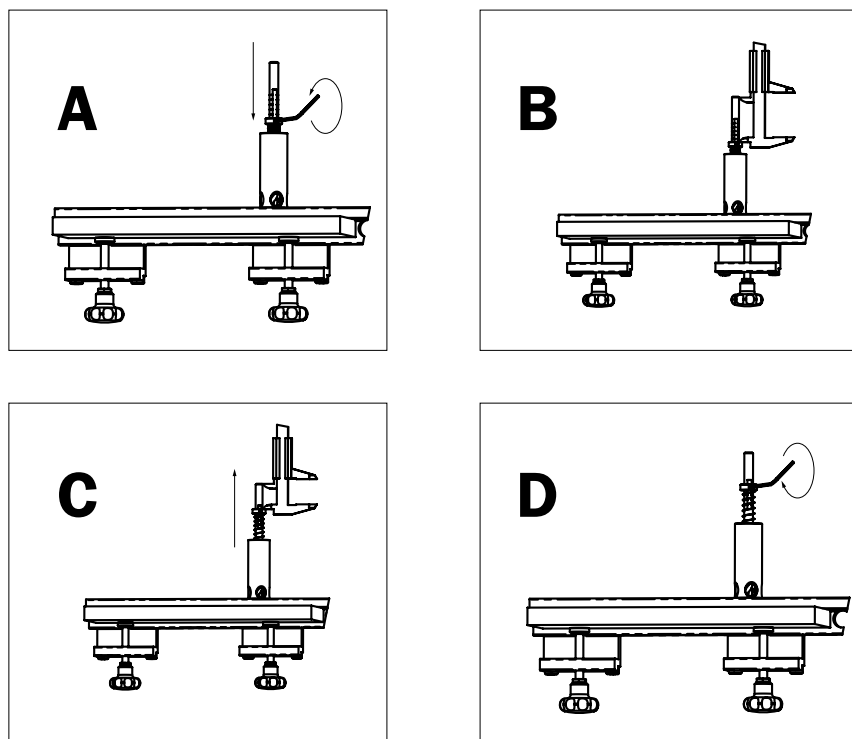
Contenuto CMT400-1

1 pz. Adattatore portapunta completa di duralluminio

1 pz. Chiave esagonale 2mm

Impostazione profondità foratura CMT400-1

Il processo dell'impostazione è raffigurato nella **(Fig. 2)**. Fissate il materiale nella dima. Nel foro del diametro 18mm inserite l'adattatore portapunta in modo che dopo aver fatto pressione sul gambo la punta da trapano si appoggi al materiale fissato. Svitare la vite dell'anello di regolazione (la chiave esagonale 2 è inclusa nel kit CMT400-1) e premete sull'anello nella direzione della dima fino alla completa compressione della molla **(Fig. 2A)**. La punta deve sempre aderire al materiale. Avvitare la vite dell'anello d'arresto e misurate la distanza tra il bordo dell'anello e l'estremità del gambo **(Fig. 2B)**. In questo modo è stato impostato il punto zero per l'impostazione della profondità della foratura. Svitare la vite dell'anello d'arresto, sottraete la profondità della foratura desiderata dal valore misurato e impostate questo valore con l'anello d'arresto sul gambo **(Fig. 2C)**, usando i corsoi d'orientamento, il passo dei corsoi è di 5mm. Avvitare la vite con cura rispettando il suo diametro **(Fig. 2D)**.


Fig. 2

Costruzione fori per perni nel piano

La ripartizione dei pezzi di lavoro dell'armadio è rappresentata nella raffigurazione (Fig. 3).

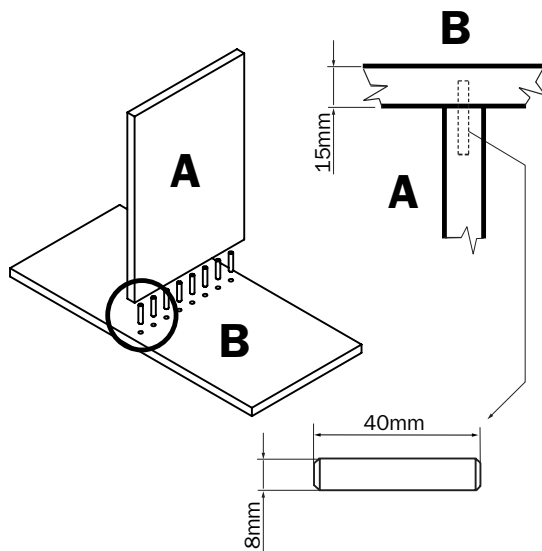


Fig. 3

- Prima di forare controllate sempre che i perni della dima aderisca perfettamente ai punti di contatto del pezzo di lavoro.
- Fate combaciare sempre la dima al pezzo di lavoro partendo dal bordo anteriore.
- Prima di forare controllate la profondità della foratura.
- Se il foro effettuato non è netto bisogna affilare la punta.

Sul piano del pezzo di lavoro in cui volete effettuare i fori disegnate una linea che vada attraverso il pezzo di lavoro e passi nel centro del pezzo di lavoro verticale (Fig. 4).

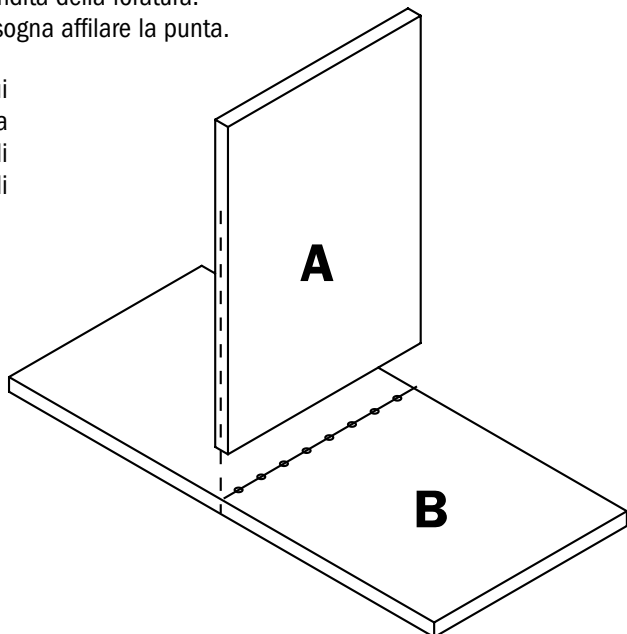


Fig. 4

Inserite l'arresto nel foro 0 sul margine della dima. Posizionate **CMT900** sul pezzo di lavoro in modo che l'arresto estremo sia al bordo anteriore del pezzo di lavoro e l'asse dei fori sulla dima corrisponda con la linea disegnata sul pezzo di lavoro (**Fig. 5**).

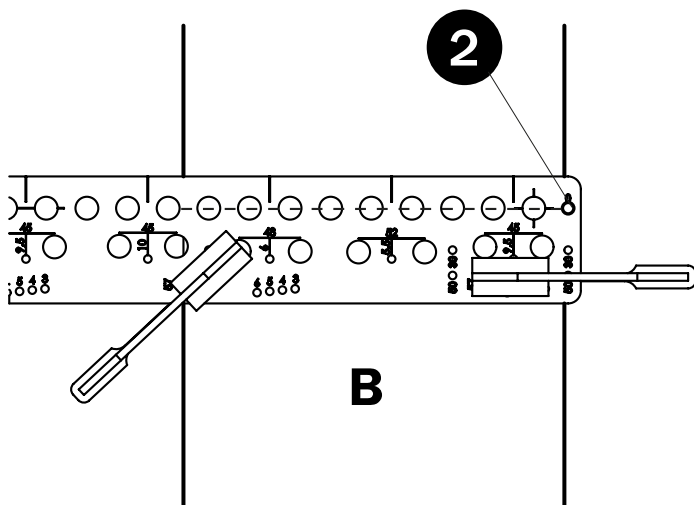


Fig. 5

Assicuratevi che l'anello d'arresto aderisca al bordo anteriore del pezzo di lavoro e l'asse centrale dei fori sulla dima attraversi la linea tracciata sul pezzo di lavoro. Ora fissate **CMT900** mediante dei morsetti. All'adattatore portapunta impostate la profondità della foratura di 15mm con lo spessore del materiale di 18mm. Mettete l'adattatore portapunta con la punta corrispondente nei fori e cominciate a effettuare i fori per i perni (**Fig. 5**). I fori più profondi vengono effettuati gradatamente perché possano essere puliti dai trucioli. Mantenete la direzione giusta della rotazione: le punte sono di tipo destrorso.

Costruzione fori per le viti nel piano

Il procedimento e la ripartizione dei pezzi di lavoro è uguale a quello della costruzione della giunzione a perni nel piano. Usate la punta del diametro di 7mm per i fori passanti. Impostate la profondità della foratura in modo che la punta fori, senza problemi, lo spessore del materiale. Mantenete la direzione giusta della rotazione: le punte sono di tipo destrorso.

Note: Per la costruzione di giunzioni a perno o a viti nel bordo è consigliabile usare la dima di foratura CMT400 o CMT656.

Costruzione di giunzione con dimensioni maggiori di quelle della dima di foratura

Il procedimento della lavorazione viene rappresentato nella raffigurazione (Fig. 7). Dopo lo smontaggio dell'arresto estremo (pos. 2) la dima si può far avanzare sul bordo del pezzo di lavoro. Il perno di centraggio serve per il fissaggio dell'ultimo foro e per il mantenimento del passo di 32mm (pos. 3/4/5). Insieme alla dima vengono forniti i perni del diametro di 8mm, di 5mm e di 3mm. Il procedimento è uguale a quello della foratura nel piano con l'unica differenza che il perno di centraggio viene sostituito con l'arresto frontale. Per posizionare la dima in linea con i fori già effettuati usate i due perni di centraggio posizionati nella maggior distanza possibile uno dall'altro.

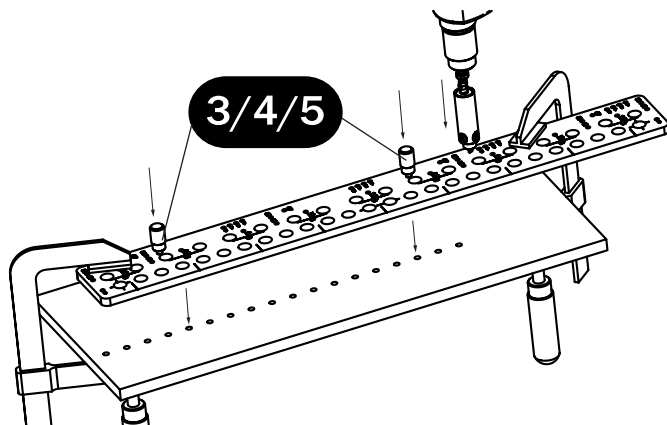


Fig. 7

AVVERTENZA!!!

Durante la foratura bisogna premere l'adattatore portapunta sulla dima per mantenere la verticalità. Per la tenuta della capsula si può usare l'altra mano. Tenete il trapano sempre in verticale in modo che la capsula a copiare aderisca con tutta la superficie alla superficie del CMT900 e che sia mantenuta la verticalità. **È consigliabile effettuare i fori gradatamente e osservare le istruzioni di sicurezza per il lavoro con il trapano!**

Costruzione fori per reggiscaffali

La ripartizione e il pezzo di lavoro laterale del corpo dell'armadio sono indicati nella raffigurazione (Fig. 8). Il parametro n nelle figure indica il numero di fori a partire dal secondo foro dall'arresto 0 (Fig. 10 e 12).

- Prima di forare controllate sempre che i perni della dima aderiscano perfettamente al pezzo di lavoro.
- Fate combaciare sempre la dima al pezzo di lavoro partendo da un bordo (superiore o inferiore).
- Prima di forare controllate la profondità della foratura.
- Se il foro effettuato non è netto bisogna affilare la punta.

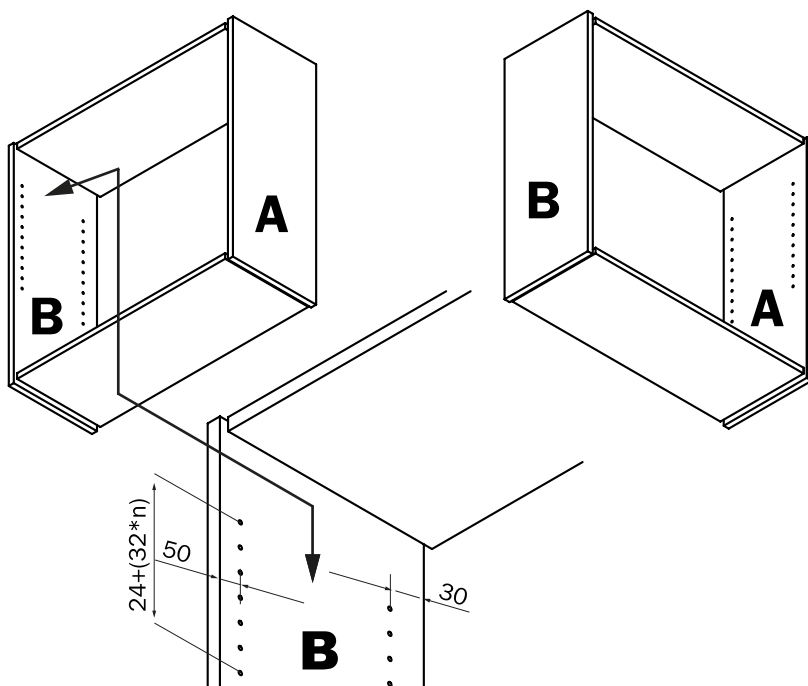


Fig. 8

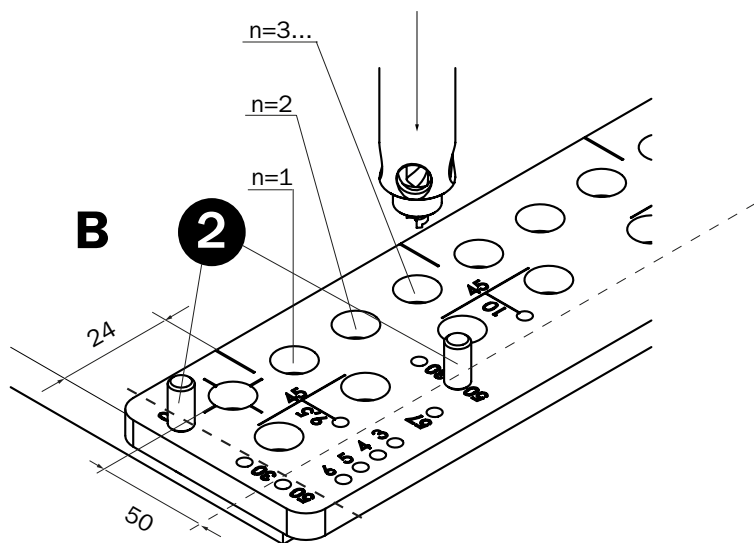


Fig. 10

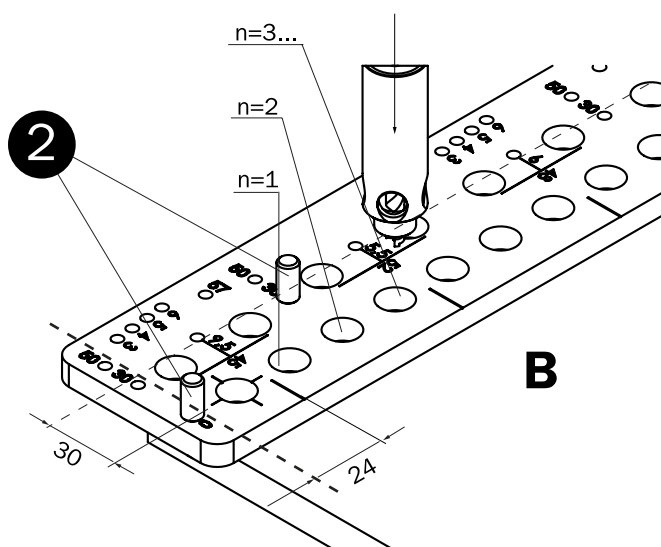


Fig. 12

Esecuzione fori per reggiscaffali partendo dal bordo anteriore

Inserite due perni (pos. 2) nei fori 50 e un arresto (pos. 2) nel foro 0 al margine della dima. Posizionate **CMT900** sul pezzo di lavoro in modo che i due perni nei fori 50 aderiscono al bordo anteriore del pezzo di lavoro e che l'arresto (pos. 2) nel foro 0 aderisca al bordo superiore del pezzo di lavoro. Usando i fori 50 posizionerete i reggiscaffali nella distanza di 50mm dal bordo anteriore. Usate l'adattatore portapunta **CMT400-1** con la punta per fori non passanti a seconda del diametro del reggiscaffale (**Fig. 9**).

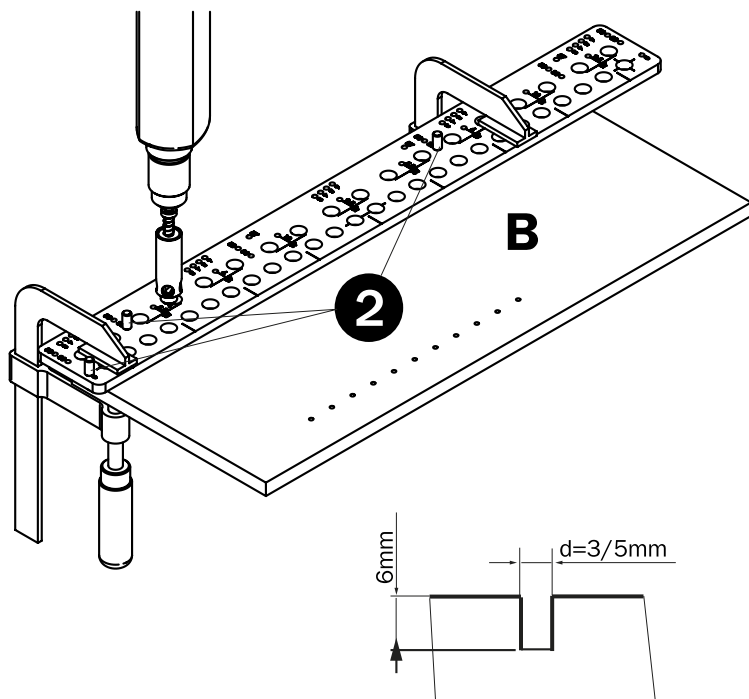


Fig. 9

Assicuratevi che i perni aderiscano al bordo anteriore e quello superiore della tavola. Fissate la dima di foratura al pezzo di lavoro mediante dei morsetti. All'adattatore portapunta impostate la profondità della foratura di 8mm. Mettete l'adattatore portapunta con la punta corrispondente nella fila di fori principale e cominciate a effettuare fori per reggiscaffali (**Fig. 10**). Mantenete la direzione giusta della rotazione: le punte sono di tipo destrorso. Se la distanza tra i fori e l'arresto 0 non vi sembra adatta rimuovete questo arresto dalla dima **CMT900** e fatela avanzare in funzione della distanza desiderata. I perni nei fori 50 devono rimanere inseriti nella dima, l'impostazione della distanza desiderata è facilitata dall'esistenza della linea d'orientamento nelle assi dei fori.

Esecuzione fori per reggiscaffali partendo dal bordo posteriore

Inserite due perni (pos. 2) nei fori 30 e un arresto nel foro 0 al margine della dima. Posizionate **CMT900** sul pezzo di lavoro in modo che i due perni nei fori 30 aderiscano al bordo posteriore del pezzo di lavoro e che l'arresto nel foro 0 aderisca al bordo superiore del pezzo di lavoro (**Fig. 11**). Usando i fori 30 posizionerete i reggiscaffali nella distanza di 30mm dal bordo posteriore. Usate l'adattatore portapunta **CMT400-1** con la punta per i fori non passanti del diametro di 3mm o di 5mm.

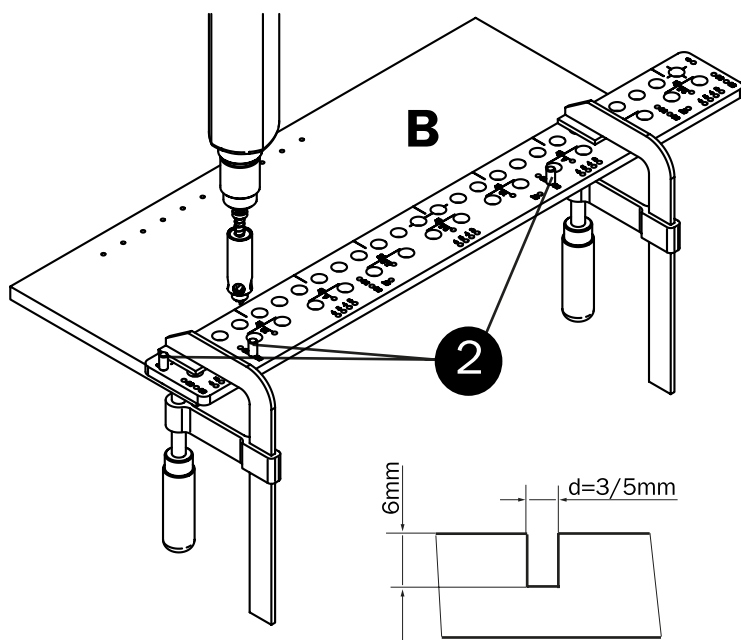


Fig. 11

Assicuratevi che i perni aderiscano al bordo posteriore e quello superiore della tavola.

Fissate la dima di foratura al pezzo di lavoro mediante dei morsetti. All'adattatore portapunta impostate la profondità della foratura di 8mm. Mettete l'adattatore portapunta con la punta corrispondente nella fila di fori principale e cominciate a effettuare fori per reggiscaffali (**Fig. 12**). Mantenete la direzione giusta della rotazione: le punte sono di tipo destrorso.

Se la distanza tra i fori e l'arresto 0 non vi sembra adatta rimuovete questo arresto dalla dima **CMT900** e fatela avanzare in funzione della distanza desiderata. I perni nei fori 30 devono rimanere inseriti nella dima, l'impostazione della distanza desiderata è facilitata dall'esistenza della linea d'orientamento nelle assi dei fori.

Costruzione giuntura di dimensioni maggiori di quelle della dima di foratura

Il procedimento della lavorazione viene indicato nella raffigurazione (**Fig. 7**).

Dopo lo smontaggio dell'arresto estremo (**pos. 2**) dal foro 0 la dima si può far avanzare sul bordo del pezzo di lavoro. I perni di centraggio, inclusi nel kit di base della dima di foratura **CMT900**, servono per il fissaggio dell'ultimo foro e per il mantenimento del passo di 32mm (**pos. 3/4/5**).

I perni forniti sono del diametro di 3mm e di 5mm. Il procedimento è uguale a quello della foratura con l'arresto 0, il posizionamento della dima sul pezzo forato è assicurato con il perno di centraggio e con due perni. Per posizionare la dima in linea con i fori già effettuati usate i due perni di centraggio posizionati nella maggior distanza possibile uno dall'altro.

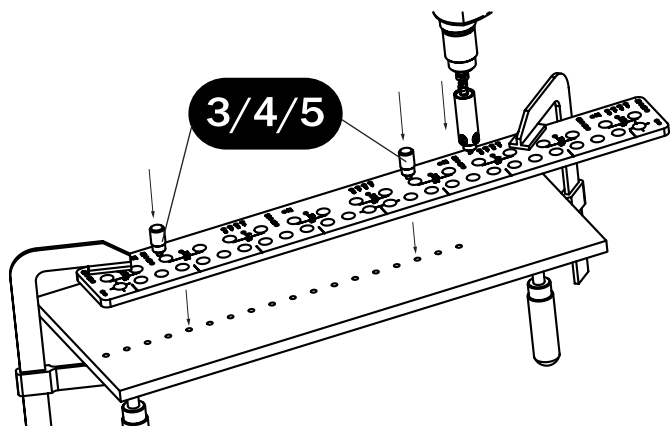


Fig. 7

Costruzione fori per cerniere

La figura informativa (**Fig. 13**) rappresenta la costruzione di fori per cerniere.

- Prima di forare controllate sempre se la dima aderisce perfettamente al pezzo di lavoro.
- Fate combaciare sempre la dima al pezzo di lavoro partendo dal bordo anteriore.
- Prima di forare controllate la profondità della foratura.
- Se il foro effettuato non è netto bisogna affilare la punta.

Lista passi cerniere

Viti al piede della cerniera: passo 32mm / da margine 37mm

Vite comune e passo cerniera a tazza		
Produttore	Passo vite T1	Passo cardine cerniera e viti T2
HETTICH	52mm	5.5mm
BLUM	45mm	9.5mm
FGV	48mm	6mm
INTEREX	45mm	9.5mm
TEKNO	45mm	10mm

Preparazione componenti prima della foratura, indicazione assi cerniere

Sulla sponda del corpo, dalla parte interna del pezzo di lavoro, indicate gli assi delle cerniere e le distanze dal bordo superiore e inferiore. Se è possibile è consigliabile usare la distanza di 120mm dal margine del pezzo di lavoro. Posizionate il portello alla sponda in modo che eccedano della stessa distanza in entrambi i margini. Ora copiate gli assi delle cerniere nella parte interna del portello. Con una squadra disegnate gli assi delle cerniere a circa 150mm dal margine della sponda e del portello. La precisione dell'indicazione delle cerniere influenzerà il posizionamento in alto del portello (**Fig.13**).

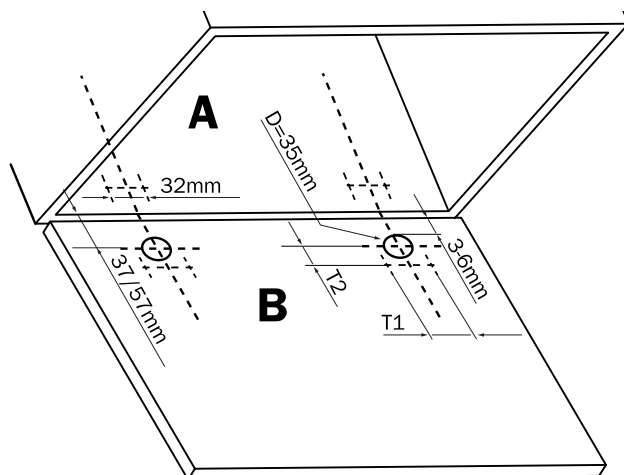


Fig. 13

Esecuzione fori nel corpo (cerniera inserita)

Inserite due perni (pos. 2) in due fori arbitrari in fila per indicare il centro dei cardini (**Fig. 14**). Posizionate **CMT900** sul pezzo di lavoro in modo che l'asse centrale del passo scelto della cerniera sulla dima corrisponda all'asse centrale sul pezzo di lavoro e che i perni aderiscano al bordo anteriore del pezzo di lavoro. Usate l'adattatore portapunta **CMT400-1** con la punta per i fori non passanti del diametro di 3mm per viti da legno o di 5mm per viti euro.

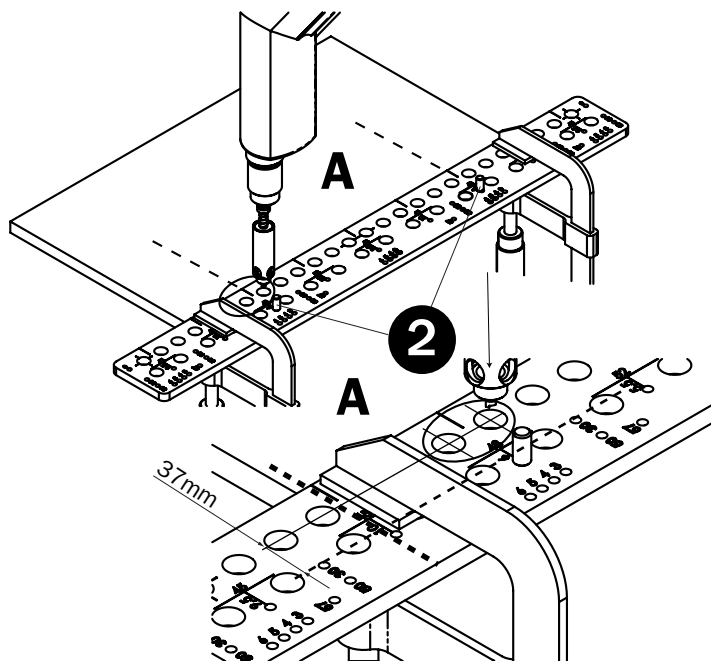


Fig. 14

Assicuratevi che i perni aderiscano sul bordo anteriore della tavola e che l'asse della cerniera sulla dima di foratura sia nello stesso punto come l'asse della cerniera sul pezzo di lavoro. Fissate la dima di foratura al materiale da forare mediante dei morsetti. Impostate la profondità della foratura sull'adattatore portapunta a seconda delle viti usate. Inserite l'adattatore portapunta con la punta corrispondente nella fila di fori principale e effettuate un foro a destra dall'asse e un foro a sinistra dall'asse (**dettaglio Fig. 14**). Mantenete la direzione giusta della rotazione: le punte sono di tipo destrorso.

Esecuzione fori nel corpo (cerniera NK inserita)

Inserite due perni di metallo (pos. 2) in fori 57 (Fig. 15). Posizionate **CMT900** sul pezzo di lavoro in modo che l'asse centrale del passo scelto della cerniera sulla dima corrisponda all'asse centrale sul pezzo di lavoro e che i perni aderiscano al bordo anteriore del pezzo di lavoro. Usate l'adattatore portapunta **CMT400-1** con la punta per i fori non passanti del diametro di 3mm per viti da legno o di 5mm per viti euro.

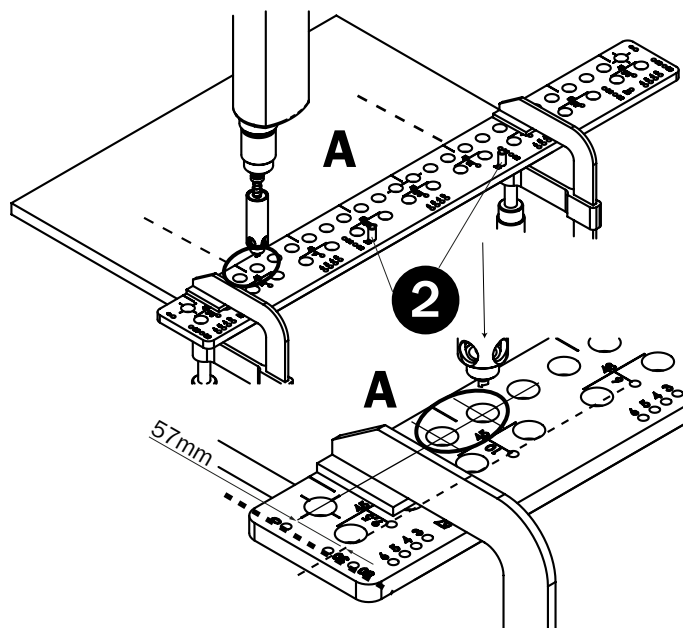


Fig. 15

Assicuratevi che i perni aderiscano sul bordo anteriore della tavola e che l'asse della cerniera sulla dima di foratura sia nello stesso punto come l'asse della cerniera sul pezzo di lavoro. Fissate la dima di foratura al materiale da forare mediante dei morsetti. Impostate la profondità della foratura sull'adattatore portapunta a seconda della lunghezza delle viti usate. Inserite l'adattatore portapunta con la punta corrispondente nella fila di fori principale e effettuate un foro a destra dall'asse e un foro a sinistra dall'asse (**dettaglio Fig. 15**).

Mantenete la direzione giusta della rotazione: le punte sono di tipo destrorso. Usando i fori 57 per i perni realizzerete lo spostamento del piede della cerniera di 20mm, la sua distanza dal margine quindi sarà di 57mm.

Esecuzione fori nel portello e indicazione centro cardine

Prima di cominciare a forare bisogna individuare i parametri dei passi delle viti, lo spostamento del centro del cardine e la distanza consigliata del cardine dal margine. I parametri per i tipi più utilizzati di cerniere sono indicati nella precedente tabella.

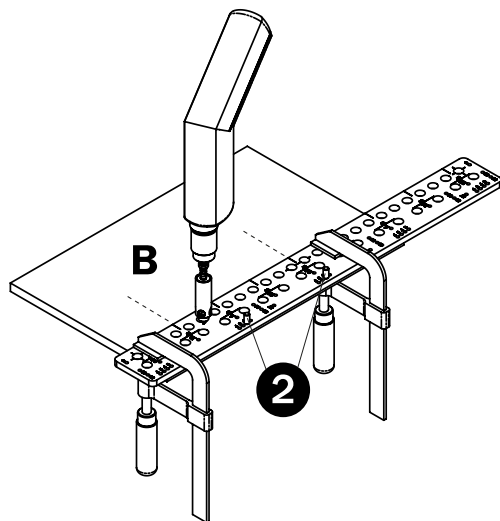


Fig. 16

Inserite due perni (pos. 2) con la serie di passi più adatta alla cerniera scelta (**Fig. 16 e 17**) in uno dei fori 3 - 6 (a seconda della distanza scelta del cardine dal bordo). Posizionate **CMT900** sul pezzo di lavoro in modo che l'asse centrale del passo scelto della cerniera sulla dima corrisponda all'asse centrale sul pezzo di lavoro e che i perni aderiscano il bordo anteriore del pezzo di lavoro. Usate l'adattatore portapunta **CMT400-1** con la punta per i fori non passanti del diametro di 3mm per viti da legno, di 5mm per viti euro o di 8mm per tasselli a fissaggio veloce.

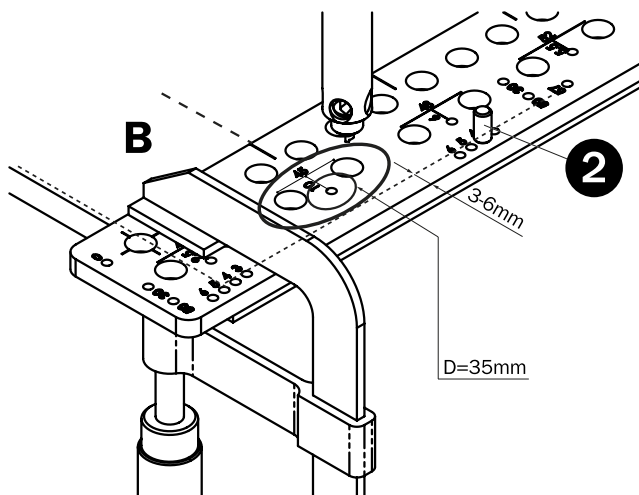


Fig. 17

Assicuratevi che i perni aderiscano sul bordo anteriore della tavola e che l'asse della cerniera sulla dima di foratura sia nello stesso punto come l'asse della cerniera sul pezzo di lavoro. Fissate la dima di foratura al materiale da forare mediante dei morsetti. Impostate la profondità della foratura sull'adattatore portapunta a seconda della lunghezza delle viti usate. Inserite, gradatamente, l'adattatore portapunta con la punta corrispondente in due fori della cerniera usata e effettuate un foro a destra dall'asse e un foro a sinistra dall'asse (**Fig. 17**). Mantenete la direzione giusta della rotazione: le punte sono di tipo destrorso.

Tramite i fori 3, 4, 5 e 6 viene impostata la distanza del cardine dal bordo del portello, i numeri indicano la distanza del bordo del foro per il cardine del diametro di 35mm dal bordo della tavola.

Dopo aver effettuato i fori per le viti da legno indicate il centro del cardine con l'arresto (**pos. 2**) con la punta alla fine. Inserite l'arresto nel foro e battendo leggermente l'arresto dall'alto con un martello creerete il buco di guida per la punta per cerniera (**Fig. 18**).

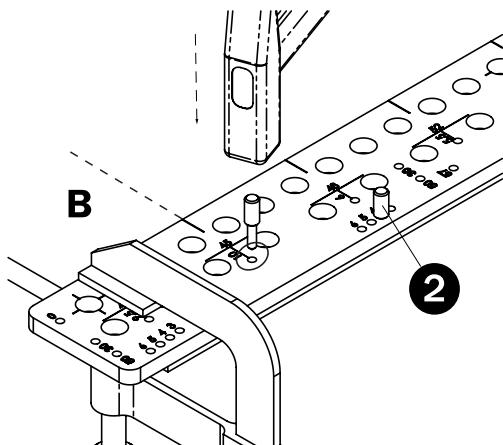


Fig. 18

Esecuzione fori per il cardine della cerniera

Rimuovete i morsetti e separate la dima di foratura dal pezzo di lavoro. Fissate la punta per cerniera di 35mm nel trapano. Ora inserite la punta nel foro di guida sul portello e effettuate un foro di 35mm e della profondità di 11mm.

Per eseguire il foro di 35mm è consigliabile usare la punta per cerniera CMT 512.350.11.

AVVERTENZA!!!

Durante la foratura bisogna premere l'adattatore portapunta sulla dima per mantenere la verticalità. Per la tenuta della capsula si può usare l'altra mano. Tenete il trapano sempre in verticale in modo che la capsula a copiare aderisca con tutta la superficie alla superficie del **CMT400-1** e che sia mantenuta la verticalità. **È consigliabile effettuare i fori gradatamente e osservare le istruzioni di sicurezza per il lavoro con il trapano!**

Sicurezza

- 1 - Prima di cambiare la punta o durante l'impostazione della profondità spegnete sempre il trapano e staccatelo dalla corrente elettrica.
- 2 - Non toccate le parti rotanti durante la foratura.
- 3 - Usate i dispositivi di protezione dell'udito.
- 4 - Usate sempre la maschera antipolvere o il respiratore.
- 5 - Non indossate indumenti larghi. Assicuratevi che le maniche larghe siano rimboccate o fissate e che non indossiate la cravatta.
- 6 - Prima di accendere il trapano assicuratevi che la punta sia ben fissata e l'anello d'arresto ben serrato.
- 7 - Prevedete l'accensione involontaria del trapano. Prima di attaccare la spina alla presa e prima di attaccarla alla corrente, assicuratevi che l'interruttore non sia nella posizione "acceso".
- 8 - Prima di iniziare qualsiasi operazione di aggiustamento o di cambio strumento, attendete lo spegnimento totale del trapano.

CMT900 - Lista ricambi (vedi pag. 58)

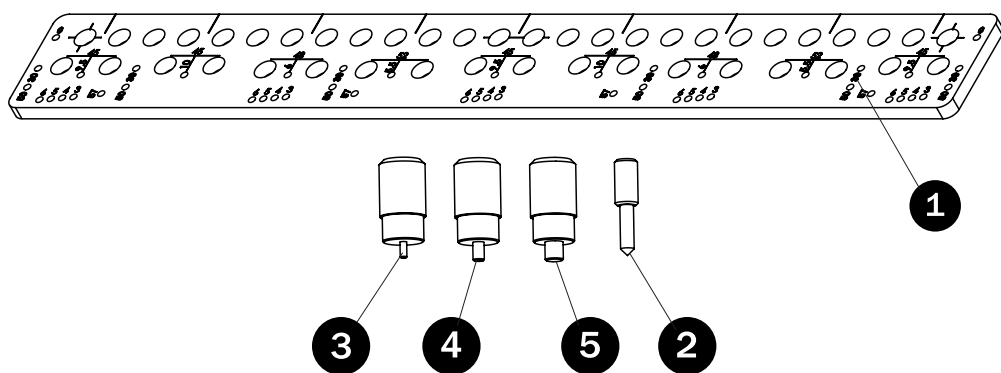
Pos. #	Descrizione	Quantità	Codice
1	Dima di foratura	1	CMT900-01
2	Perno di fissaggio con la punta D6/10mm	4	CMT900-04
3	Perno di centraggio D3/18mm	2	CMT900-13
4	Perno di centraggio D5/18mm	2	CMT900-15
5	Perno di centraggio D8/18mm	2	CMT900-18

CMT400-1 e CMT400-2 - Lista ricambi (vedi pag. 60)

Pos. #	Descrizione	Quantità	Codice
1	Capsula di centraggio con cuscinetti per CMT400-1	1	CMT400-11
	Capsula di centraggio con cuscinetti per CMT400-2	1	CMT400-21
2	Albero portapunta L125 per CMT400-1	1	CMT400-12
	Albero portapunta L140 per CMT400-2	1	CMT400-22
3	Anello di battuta Ø9/17x6mm	1	CMT400-13
4	Molla elastica Ø10/12x65mm	1	CMT400-14
5-6	Vite di fissaggio STEI M4x4mm	2	990.016.00
7	Chiave esagonale 2mm	1	991.060.00
8	Perno di centraggio D5mm per CMT400-2	1	CMT900-15
9	Perno di centraggio D7mm per CMT400-2	1	CMT900-17

INHALT	Seite
Beschreibung und Gebrauch der Bohrschablone CMT900	76
Beschreibung und Gebrauch des Adapters CMT400-1	78
Ausführen von Dübel- oder Schraubverbindungen in der Fläche	80
Vorbohren für Regalhalter	83
Vorbohren für Topfscharniere	88
Sicherheit und Ersatzteilliste	93

CMT900



Basiszubehör CMT900	Art.Nr.
1) Schablone aus laminiertem Bakelit	1 Stk. CMT900-01
2) Stahlschläge D6/D10mm mit Spitze	4 Stk. CMT900-04
3) Stahl-Zentrierstifte D3/18mm	2 Stk. CMT900-13
4) Stahl-Zentrierstifte D5/18mm	2 Stk. CMT900-15
5) Stahl-Zentrierstifte D8/18mm	2 Stk. CMT900-18

Beschreibung der Schablone CMT900

Das gesamte Gerät besteht aus einer Bohrschablone (**Z. 1**) (mit präzisen Löchern mit 18mm Durchmesser und 32mm Mittenabstand sowie Löchern für die Topfscharniere und Löchern für Dübel), aus den Anschlägen (**Z. 2**) (mit der Spitze für die Markierungen) und aus den Zentrierstiften (**Z. 3,4,5**) (für die Beibehaltung der Position bei einer Schablonenverschiebung). Die Löcher für die Anschläge sind mit Referenzzahlen für die jeweilige Größe des Anschlags versehen. Die Bohrschablone **CMT900** muss mit Zwingen am Werkstück befestigt werden.

Verwendung der Bohrschablone CMT900

Die Schablone **CMT900** ist für die Herstellung von Dübelverbindungen mit einer Werkstückstärke von 18 bis 30mm oder von Schraubverbindungen mit 40-50-60mm-Verbindungsschrauben mit 18 bis 30mm Werkstückstärke, zum Vorbohren der Löcher für Regalhalter mit Ø3mm und Ø5mm und zum Vorbohren der Löcher für Holzschrauben und Scharnertöpfe bestimmt. Für diese Arbeiten benötigen Sie eine handelsübliche Akku- oder Elektrohandbohrmaschine und den Adapter **CMT400-1**. Dank der perfekt durchdachten Ausführung der Bohrbüchse kann eine breite Palette von Dübelbohrern mit verschiedenen Durchmessern verwendet werden. Die Basis des gesamten Gerätes besteht aus der Bohrschablone mit dem Adapter, in dem das Werkzeug befestigt wird. Die perfekte Konstruktion und die maximale Genauigkeit der Bohrschablone und des Adapters gewährleisten einen optimalen Qualitätsstandard der fertigen Produkte.

Notwendiges Zubehör für die Arbeit mit der Bohrschablone:

Netz- oder akkubetriebene Bohrmaschine

Adapter CMT400-1

HW-Bohrer für nicht durchgehende Bohrungen (Anschluss Ø8mm)

und HW-Scharnierlochbohrer (Anschluss Ø10mm)

Bohrer mit HW-Schneide und Schaft S=8mm

Art.Nr.	Beschreibung	Einsatz
306.030.21	Ø3x30mm HW-Bohrer	mit CMT400-1 für nicht durchgehende Löcher
306.050.11	Ø5x30mm HW-Bohrer	mit CMT400-1 für nicht durchgehende Löcher
306.080.11	Ø8x30mm HW-Bohrer	mit CMT400-1 für nicht durchgehende Löcher
307.070.11	Ø7x40mm HW-Bohrer	mit CMT400-1 für nicht durchgehende Bohrungen
512.350.11	Ø35x90mm HW-Scharnertopfbohrer	für Scharnertopfbohrungen

Beschreibung des Adapters CMT400-1

Der Adapter besteht aus einer Duraluminium-Zentrierbüchse und einem Schaft $\varnothing 9\text{mm}$ mit einem Loch mit $\varnothing 8\text{mm}$ zum Befestigen der Werkzeuge.

Der Schaft ist in die Zentrierbüchse eingebettet, die Lager gewährleisten eine maximale Bearbeitungspräzision. Für die Befestigung gibt es eine Feder und einen Anschlagring, der mit einer Schraube gesichert wird. Die Bohrtiefe wird mit einem Stellring eingestellt, der Bohrtiefenumfang ist aus der Abbildung 1 ersichtlich.

Für eine einfachere Tiefeneinstellung ist der Schaft mit einer Skala mit Markierungen im 5-mm-Abstand versehen (**Abb. 1**).

CMT400-1

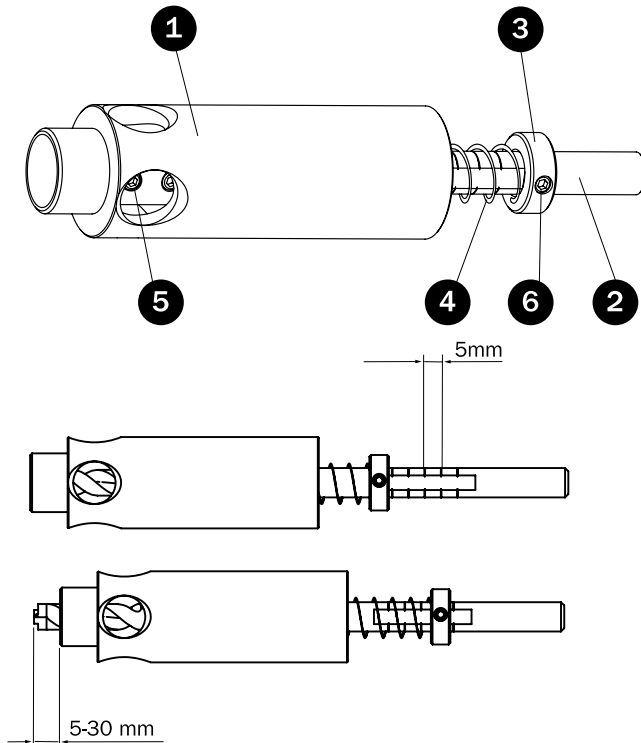


Abb. 1

Basiszubehör CMT400-1

1 Stk. kompletter Duraluminium-Adapter

1 Stk. Inbusschlüssel 2mm

Einstellung der Bohrtiefe CMT400-1

Die Vorgehensweise beim Einstellen ist aus der Abbildung 2 ersichtlich. Das Werkstück in der Bohrschablone befestigen. In das Loch mit 18mm Durchmesser den Adapter so einführen, dass, nachdem auf den Schaft gedrückt wurde, die Bohrerspitze am befestigten Werkstück anliegt. Die Schraube des Stellrings lockern (der Inbusschlüssel 2 wird mitgeliefert) und den Stelling zur Schablone drücken, bis die Feder vollständig zusammengedrückt ist (**Abb. 2A**). Die Bohrerspitze muss immer am Werkstück anliegen. Die Schraube des Anschlagrings festziehen und den Abstand zwischen dem Rand des Rings und dem Schaftende messen (**Abb. 2B**). Jetzt ist der Nullpunkt für die Einstellung der Bohrtiefe eingestellt. Die Schraube des Anschlagrings lockern, die gewünschte Bohrtiefe von dem gemessenen Wert abziehen und das Ergebnis mit dem Anschlagring am Schaft einstellen (**Abb. 2C**); dazu die Markierungen im 5-mm-Abstand zu Hilfe nehmen. Die Schraube unter Berücksichtigung des Schraubendurchmessers sorgfältig festziehen (**Abb. 2D**).

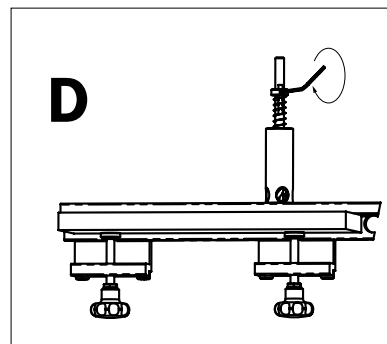
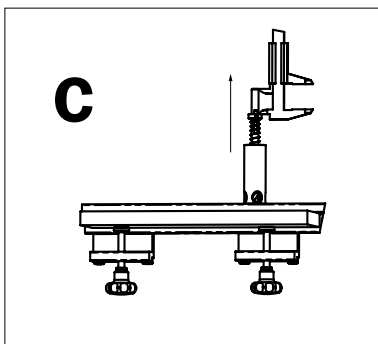
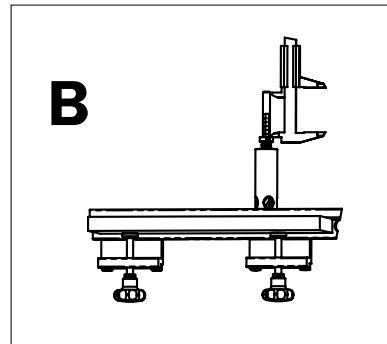
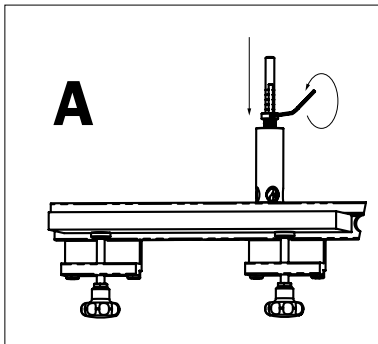


Abb. 2

Herstellung der Dübellöcher in der Fläche

Die Aufteilung der Schrankkorpus-Komponenten, also der Werkstücke, ist auf der Abbildung dargestellt (**Abb. 3**).

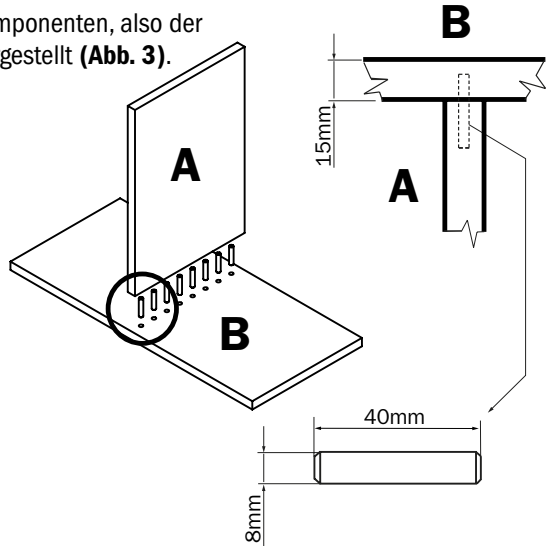


Abb. 3

- Vor dem Bohren ist stets zu überprüfen, ob die Anschläge der Schablone genau an den Berührungspunkten des Werkstücks anliegen.
- Die Schablone immer von der Stirnkante ausgehend an das Werkstück anpassen.
- Vor dem Bohren die Bohrtiefe überprüfen.
- Ist das gebohrte Loch nicht sauber, muss der Bohrer geschliffen werden.

Auf der Fläche des Werkstücks, in die die Löcher gebohrt werden sollen, eine Linie einzeichnen, die quer durch das Werkstück geht und die Mitte des senkrechten Teils durchschneidet (**Abb. 4**).

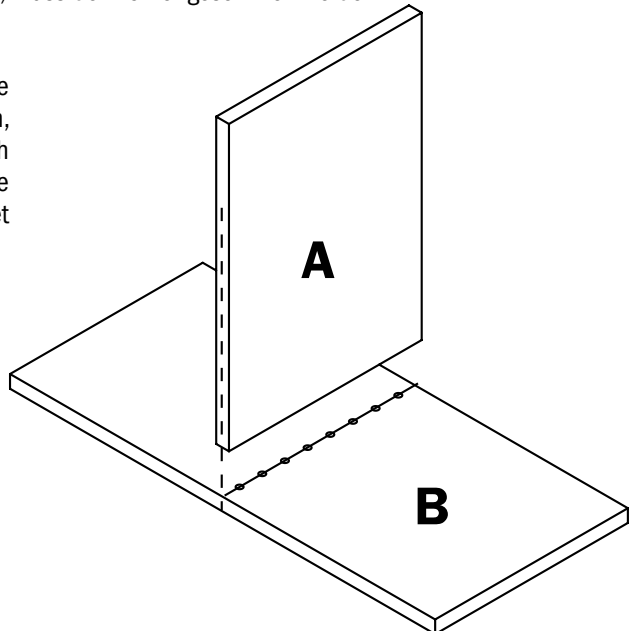


Abb. 4

Den Anschlag in das Loch 0 am Schablonenrand einführen. Die **CMT900** so auf dem Werkstück anbringen, dass der Randanschlag die Stirnkante des Werkstücks berührt und die Achse der Bohrungen auf der Schablone sich mit der auf dem Werkstück eingezeichneten Linie deckt (**Abb. 5**).

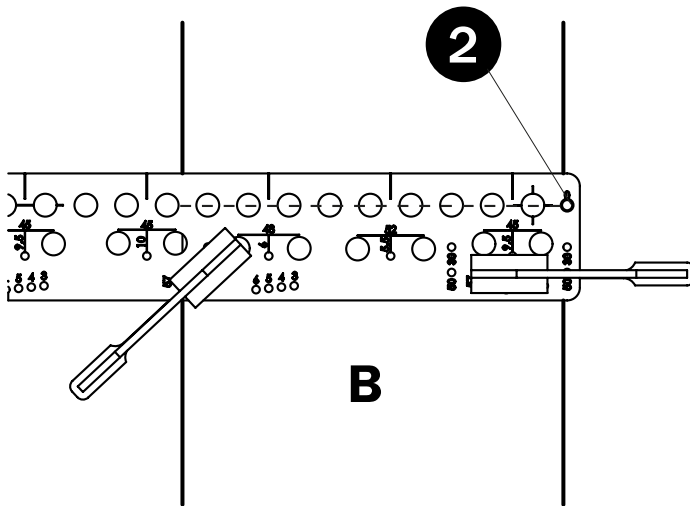


Abb. 5

Überprüfen, ob der Anschlagring die Stirnkante des Werkstücks berührt und die Mittelachse der Bohrungen auf der Schablone sich mit der eingezeichneten Linie auf dem Werkstück deckt. Nun die **CMT900** mittels Zwingen befestigen. Auf dem Adapter für 18mm starkes Material die Bohrtiefe auf 15mm einstellen. Den Adapter mit dem passenden Bohrer in die Löcher auf der Schablone legen und die Löcher für die Dübel bohren (**Abb. 5**). Tiefere Löcher in mehreren Arbeitsgängen bohren, damit die Späne aus dem Loch entfernt werden können. Die richtige Drehrichtung beachten – die Bohrer sind rechtsdrehend.

Herstellung von Löchern für Verbindungsschrauben in der Fläche

Die Vorgehensweise und die Aufteilung der Werkstücke sind dieselben wie bei der Herstellung einer Dübelverbindung in der Fläche. Für die durchgehenden Bohrungen den Bohrer mit 7mm Durchmesser verwenden. Die Bohrtiefe so einstellen, dass der Bohrer problemlos die gesamte Materialstärke durchbohren kann.

Die richtige Drehrichtung beachten – die Bohrer sind rechtsdrehend.

Anm.: Für die Herstellung von Dübel- oder Schraubverbindungen an der Seite wird die Verwendung der Bohrlehre CMT400 oder CMT656 empfohlen.

Herstellung einer Verbindung, die größer ist als die Schablone

Der Arbeitsvorgang ist auf der Abbildung dargestellt (**Abb. 7**).

Nach dem Abnehmen des Randanschlags (**Pos. 2**) kann die Schablone entlang der Werkstückseite verschoben werden. Zum Erfassen des letzten Lochs und zur Einhaltung des Bohrabstands von 32mm gibt es den Zentrierstift (**Pos. 3/4/5**). Die Bohrschablone wird mit Zentrierstiften für Lochdurchmesser von 8mm, 5mm und 3mm geliefert. Die Vorgehensweise ist dieselbe wie beim Bohren auf der Platte, allerdings muss der Zentrierstift durch den Frontanschlag ersetzt werden. Um die Schablone in einer Linie mit den bereits gebohrten Löchern zu halten, die beiden Zentrierstifte verwenden und sie möglichst weit voneinander platzieren.

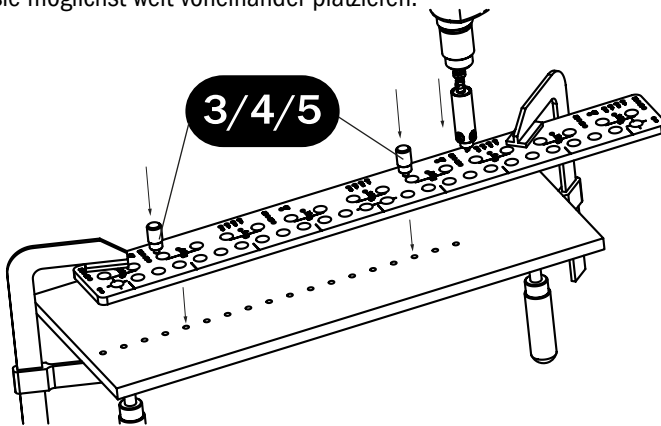


Abb. 7

HINWEIS!!!

Beim Bohren muss der Adapter an die Bohrschablone gedrückt werden, damit die Rechtwinkligkeit beibehalten wird. Die Bohrbüchse kann mit der anderen Hand gehalten werden.

Die Bohrmaschine ist immer senkrecht zu halten, so dass die gesamte Fläche der Kopierbüchse die **CMT900** berührt und die senkrechte Stellung gewahrt bleibt. Die Löcher lieber in mehreren Arbeitsgängen bohren. **Stets die Sicherheitshinweise für die Arbeit mit der Bohrmaschine beachten!**

Herstellung von Bohrungen für Regalhalter

Die Aufteilung der Komponenten und das Seitenteil des Schrankkorpus sind auf der Abbildung dargestellt (**Abb. 8**).

Der Parameter n auf den Abbildungen gibt die Anzahl der Bohrungen ab dem zweiten Loch des Anschlags 0 an (**Abb. 10 und Abb. 12**).

- Vor dem Bohren ist stets zu überprüfen, ob die Anschläge der Bohrschablone gut am Werkstück anliegen.
- Die Bohrschablone immer von einer Seite aus am Werkstück anpassen (Vorder- oder Unterseite).
- Vor dem Bohren die Bohrtiefe kontrollieren.
- Ist das gebohrte Loch nicht sauber, muss der Bohrer geschliffen werden.

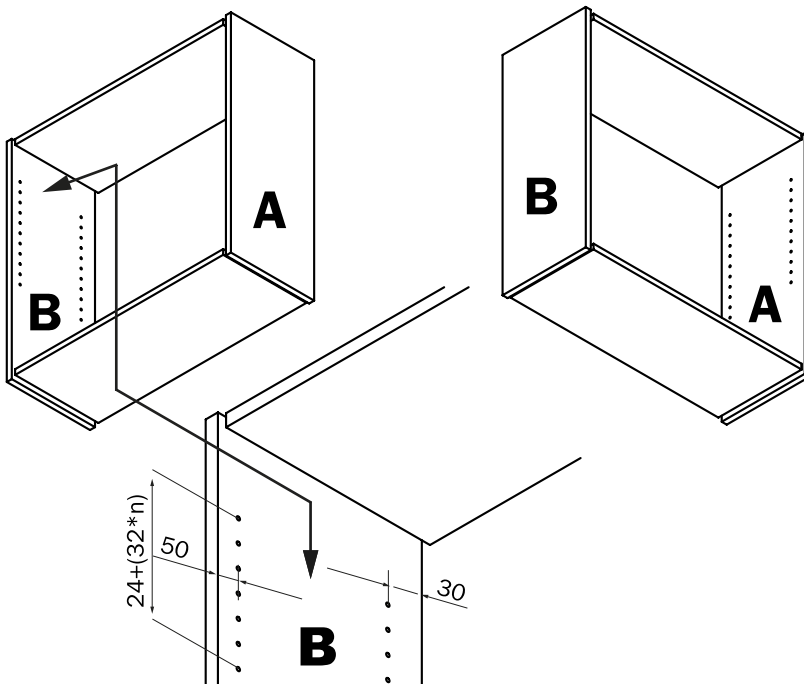


Abb. 8

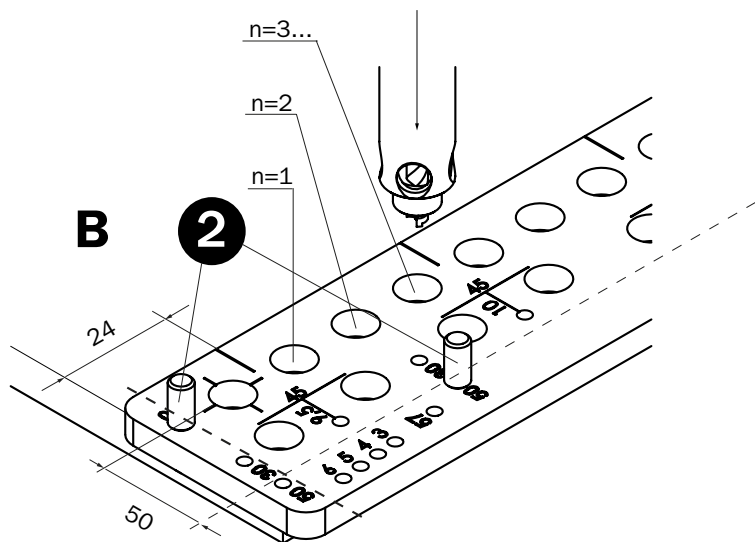


Abb. 10

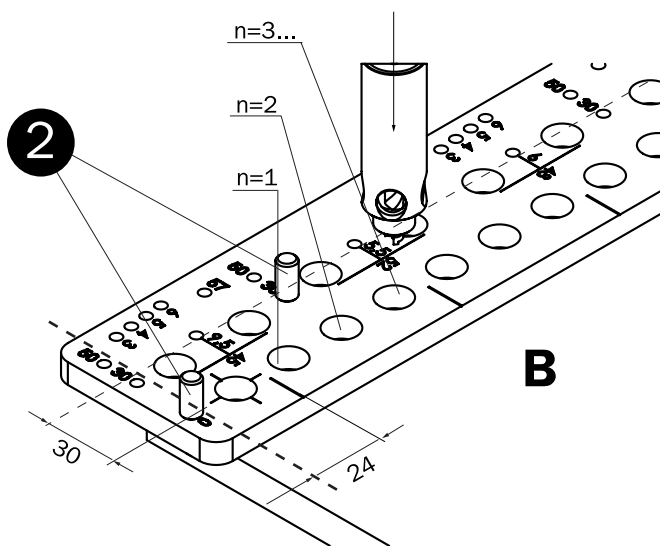


Abb. 12

Bohren der Löcher für Regalhalter an der Stirnseite

Zwei Anschläge (Pos. 2) in die Löcher 50 und einen Anschlag (Pos. 2) in das Loch 0 am Schablonenrand einsetzen. Die **CMT900** auf dem Werkstück so anbringen, dass die zwei Anschläge in den Löchern 50 die Stirnseite des Werkstücks und der Anschlag (Pos. 2) im Loch 0 die obere Kante des Werkstücks berühren. Durch Verwendung der Löcher 50 werden die Regalhalter 50mm von der Stirnseite entfernt liegen. Den Adapter **CMT400-1** mit dem Bohrer für nicht durchgehende Löcher verwenden, dabei den Regalhalterdurchmesser beachten (**Abb. 9**).

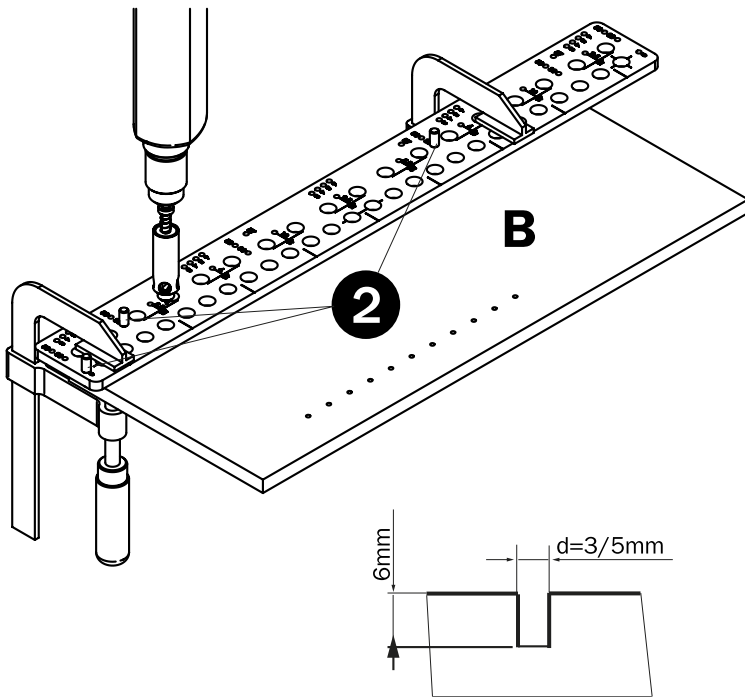


Abb. 9

Überprüfen, ob die Anschläge die Vorder- und Oberkante der Platte berühren.

Die Bohrschablone mit Zwingen am Werkstück befestigen. Auf dem Adapter die Bohrtiefe von 8mm einstellen. Den Adapter mit einem passenden Bohrer in der Hauptreihe der Löcher auf der Bohrschablone einlegen und mit dem Bohren beginnen (**Abb. 10**).

Die richtige Drehrichtung beachten: Die Bohrer werden in rechtsdrehender Ausführung geliefert. Sollte die Entfernung der Bohrungen vom Anschlag 0 nicht passen, diesen Anschlag von der **CMT900** entfernen und die Schablone der gewünschten Entfernung entsprechend verschieben. Die Anschläge in den Löchern 50 beibehalten, die Einstellung der gewünschten Entfernung wird dank der Richtstriche in den Achsen der Löcher erleichtert.

Bohren der Löcher für Regalhalter ab der hinteren Kante

Zwei Anschläge (Pos. 2) in die Löcher 30 und einen Anschlag in das Loch 0 am Schablonenrand einführen. Die **CMT900** so auf dem Werkstück anbringen, dass die zwei Anschläge in den Löchern 30 die Hinterkante des Werkstücks und der Anschlag im Loch 0 die obere Kante des Werkstückes berühren (**Abb. 11**). Durch Verwendung der Löcher 30 werden die Regalhalter 30mm von der hinteren Kante entfernt positioniert. Den Adapter **CMT400-1** mit dem Bohrer für nicht durchgehende Löcher mit einem Durchmesser von 3 oder 5mm verwenden.

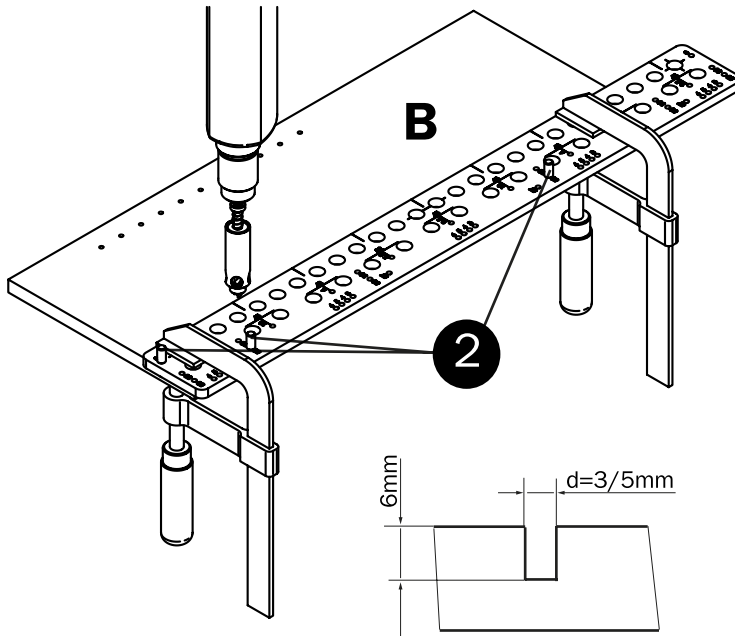


Abb. 11

Überprüfen, ob die Anschläge die Hinter- und Oberkante der Platte berühren.

Die Bohrschablone mit Zwingen auf dem Werkstück befestigen. Auf dem Adapter die Bohrtiefe von 8mm einstellen. Den Adapter mit einem passenden Bohrer in der Hauptreihe der Löcher einlegen und die Löcher für Regalhalter bohren (**Abb. 12**).

Die richtige Drehrichtung beachten: Die Bohrer werden in rechtsdrehender Ausführung geliefert. Sollte die Entfernung der Bohrungen vom Anschlag 0 nicht passen, diesen Anschlag von der **CMT900** entfernen und die Schablone der gewünschten Entfernung entsprechend verschieben. Die Anschläge in den Löchern 30 beibehalten, die Einstellung der gewünschten Entfernung wird dank der Richtstriche in den Achsen der Bohrungen erleichtert.

Herstellen einer Verbindung, die größer ist als die Schablone

Der Arbeitsvorgang ist auf der Abbildung dargestellt (**Abb. 7**).

Nach Entfernung des Randanschlags (**Pos. 2**) aus dem Loch 0 kann die Schablone entlang der Werkstückseite verschoben werden. Zum Erfassen des letzten Lochs und zur Einhaltung des Abstands von 32mm gibt es Zentrierstifte (**Pos. 3/4/5**), die im Basisset der Bohrerschablone **CMT900** mitgeliefert werden. Der Durchmesser der gelieferten Zentrierstifte beträgt 3mm und 5mm. Die Vorgehensweise ist dieselbe wie beim Bohren mit Randanschlag 0, die Position der Schablone am Werkstück wird mit dem Zentrierstift und zwei Anschlägen gesichert. Um die Schablone in einer Linie mit den bereits gebohrten Löchern zu halten, die beiden Zentrierstifte verwenden und sie möglichst weit voneinander platzieren.

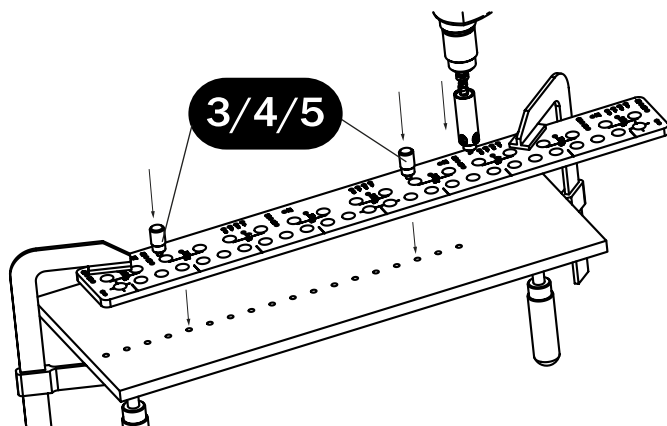


Abb. 7

Herstellung der Löcher für Topfscharniere

Die **Abbildung 13** zeigt die Herstellung der Bohrungen für Topfscharniere.

- Vor dem Bohren ist stets zu überprüfen, ob die Innenfläche der Bohrschablone auch wirklich ganz genau am Werkstück anliegt.
- Die Bohrschablone immer von der Frontkante aus an das Werkstück anpassen.
- Vor dem Bohren die Bohrtiefe kontrollieren.
- Ist das gebohrte Loch nicht sauber, muss der Bohrer geschliffen werden.

Abstände der Topfscharniere

Schrauben am Fuß des Topfscharniers: Mittenabstand 32mm / vom Rand 37mm

Standardabstände der Schrauben und Scharnieriöpfe		
Hersteller	Schraubenabstand T1	Abstand Topf - Schrauben T2
HETTICH	52mm	5.5mm
BLUM	45mm	9.5mm
FGV	48mm	6mm
INTEREX	45mm	9.5mm
TEKNO	45mm	10mm

Vorbereitung der Teile – Kennzeichnung der Scharnierachsen

Am Innenteil des Korpus-Seitenteils die Achsen der Scharniere und Entfernungen von der Ober- und Unterkante anzeichnen. Falls möglich, werden 120mm Abstand vom Werkstückrand empfohlen. Die Tür so an den Seitenteil anlegen, dass sich auf beiden Seiten die gleichen Übermaße vom Rand ergeben. Nun die Topfscharnier-Achsen auf den Innenteil der Tür kopieren.

Mit einem Winkel die Topfscharnier-Achsen ca. 150mm vom Seitenteil- und Türtrand einzeichnen. Die Genauigkeit der Kennzeichnung von Topfscharnieren beeinflusst die Höhenstellung der Tür (**Abb. 13**).

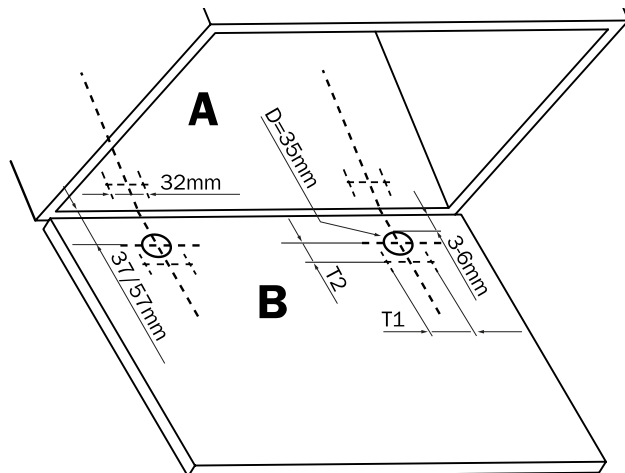


Abb. 13

Bohren von Löchern im Korpus (eingesetztes Scharnier)

Zwei Anschläge (Pos. 2) in zwei beliebige Löcher der Reihe zum Anzeichnen der Mittelpunkte stecken (Abb. 14).

Die **CMT900** so am Werkstück anbringen, dass die Mittelachse des verwendeten Topfscharnier-Abstands auf der Schablone mit der Mittelachse auf dem Werkstück zusammenfällt und die Anschläge die Frontkante der Komponente berühren. Den Adapter **CMT400-1** mit dem Bohrer für nicht durchgehende Löcher mit einem Durchmesser von 3mm für Holzschrauben oder von 5mm für Euro-Schrauben verwenden.

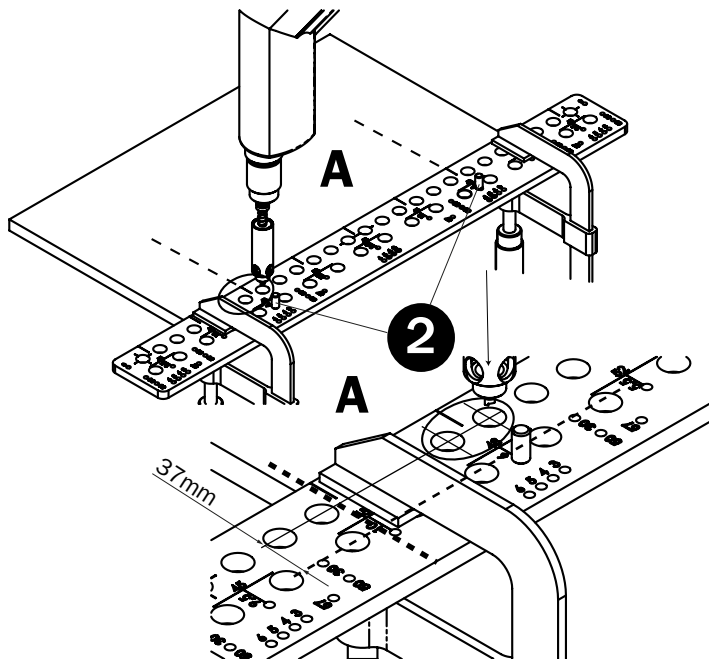


Abb. 14

Überprüfen, ob die Anschläge die Frontkante der Platte berühren und ob die Topfscharnier-Achse auf der Schablone mit der Topfscharnier-Achse auf dem Werkstück zusammenfällt. Die Bohrschablone mit Zwingen am Werkstück befestigen. Auf dem Adapter die Bohrtiefe der Länge der verwendeten Holzschrauben entsprechend einstellen. Den Adapter mit einem passenden Bohrer in die Hauptreihe der Löcher einlegen und jeweils ein Loch links und rechts von der Achse bohren (**Detail Abb. 14**). Die richtige Drehrichtung beachten: Die Bohrer werden in rechtsdrehender Ausführung geliefert.

Bohren von Löchern im Korpus (eingesetztes Topfscharnier)

Zwei Metallanschlätze (Pos. 2) in die Löcher 57 einführen (Abb. 15). Die CMT900 so am Werkstück anbringen, dass sich die Mittelachse des verwendeten Topfscharnier-Abstands auf der Schablone mit der Mittelachse auf dem Werkstück deckt und die Anschlüsse die Frontkante des Werkstückes berühren. Den Adapter CMT400-1 mit dem Bohrer für nicht durchgehende Löcher mit 3mm Durchmesser für Holzschrauben oder 5mm für Euro-Schrauben verwenden.

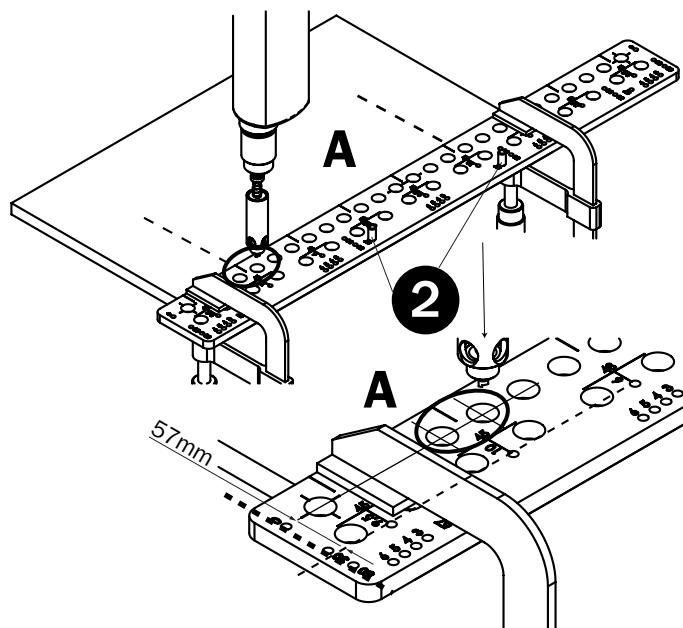


Abb. 15

Überprüfen, ob die Anschlüsse die Frontkante der Platte berühren und die Topfscharnier-Achse auf der Schablone sich mit der Topfscharnier-Achse auf dem Werkstück deckt. Die Bohrschablone mit Zwingen am Werkstück befestigen. Auf dem Adapter die Bohrtiefe der Länge der verwendeten Holzschrauben entsprechend einstellen. Den Adapter mit einem passenden Bohrer in der Hauptreihe der Löcher einlegen und jeweils ein Loch links und rechts von der Achse bohren (Detail Abb. 15). Die richtige Drehrichtung beachten: Die Bohrer werden in rechtsdrehender Ausführung geliefert. Durch die Verwendung der Löcher 57 für die Anschlüsse wird der Fuß des Topfscharniers um 20mm verschoben und damit 57mm vom Rand entfernt sein.

Bohren der Türlöcher und Kennzeichnung der Topfmitte

Vor dem Bohren müssen die Parameter der Schrauben-Abstände, die Verschiebung der Topfmitte und die empfohlene Entfernung des Topfs vom Rand ermittelt werden. Für die Parameter der am häufigsten verwendeten Topfscharniere siehe Tabelle oben.

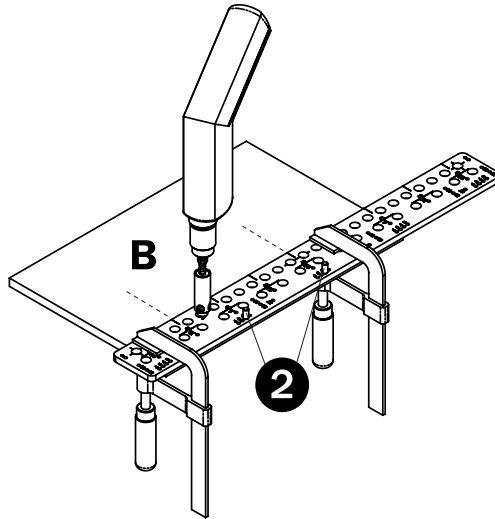


Abb. 16

Zwei Anschläge (Pos. 2) mit zum gewählten Scharnier passenden Abstand (**Abb. 16 und Abb. 17**) in eines der Löcher 3 – 6 (je nach der gewählten Entfernung des Scharnertopfs vom Werkstückrand) einsetzen. Die **CMT900** so am Werkstück anbringen, dass sich die Mittelachse des gewählten Topfscharnierabstandes auf der Schablone mit der Mittelachse auf dem Werkstück deckt und die Anschläge die Frontkante des Werkstückes berühren. Den Adapter **CMT400-1** mit dem Bohrer für nicht durchgehende Löcher mit 3mm Durchmesser für Holzschrauben, 5mm Durchmesser für Euro-Schrauben oder 8mm Durchmesser für Schnellspanndübel verwenden.

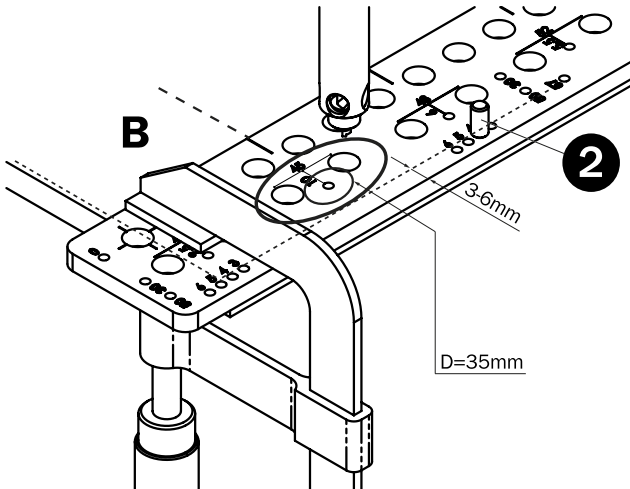


Abb. 17

Überprüfen, ob die Anschläge die Frontkante der Platte berühren und die Topfscharnier-Achse auf der Schablone sich mit der Topfscharnier-Achse auf dem Werkstück deckt. Die Bohrschablone mit Zwingen am Werkstück befestigen. Auf dem Adapter die Bohrtiefe der Länge der verwendeten Holzschrauben entsprechend einstellen. Den Adapter mit einem passenden Bohrer schrittweise in zwei Löchern des verwendeten Topfscharniers einsetzen und jeweils ein Loch links und rechts von der Achse bohren (**Abb. 17**).

Die Löcher 3, 4, 5 und 6 dienen zur Einstellung der Entfernung des Topfs vom Türrand, die Zahlen geben die Entfernung des Lochrandes für einen Topf mit 35mm Durchmesser vom Werkstückrand an.

Nachdem die Bohrungen für die Holzschrauben ausgeführt wurden, die Topfmitte mit dem letzten Spitzenanschlag (**Pos. 2**) markieren. Den Anschlag in das Loch einsetzen und mit einem Hammer leicht von oben darauf klopfen und so ein Führungsloch für den Scharnierlochbohrer bilden (**Abb. 18**).

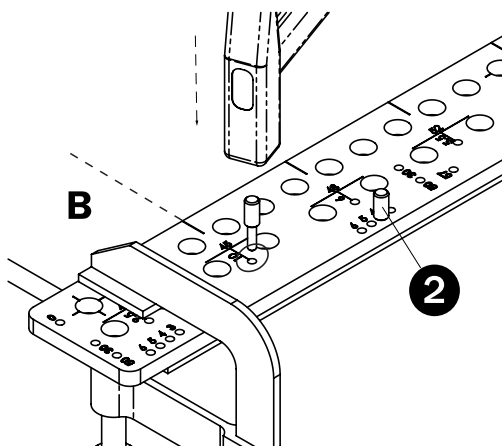


Abb. 18

Bohren von Löchern für den Scharnertopf

Die Spannzangen lockern und die Bohrschablone vom Werkstück nehmen. In der Bohrmaschine den 35-mm-Scharnierlochbohrer befestigen. Die Spitze im Führungsloch auf der Tür einsetzen und ein Loch mit 35mm Durchmesser und 11mm Tiefe bohren.

Zum Bohren des Lochs mit 35mm Durchmesser wird der Scharnierbohrer CMT 512.350.11 empfohlen.

HINWEIS!!!

Beim Bohren muss der Adapter an die Bohrschablone gedrückt werden, um die Rechtwinkligkeit zu erhalten. Die Bohrbüchse kann mit der anderen Hand unterstützt werden. Die Bohrmaschine ist immer senkrecht zu halten, so dass die gesamte Fläche der Bohrbüchse die Oberfläche des **CMT400-1** berührt und die vertikale Stellung gegeben ist. Die Bohrungen sollten immer in mehreren Arbeitsgängen ausgeführt werden. **Stets die Sicherheitshinweise für die Arbeit mit der Bohrmaschine beachten!**

Sicherheit

- 1 - Vor dem Wechseln des Bohrers oder beim Einstellen der Bohrtiefe den Bohrer immer ausschalten und vom Netz trennen.
- 2 - Beim Bohren die drehenden Teile nicht berühren.
- 3 - Immer einen Gehörschutz verwenden.
- 4 - Immer eine Staubschutzmaske oder eine Atemschutzvorrichtung benutzen.
- 5 - Keine lose Kleidung tragen. Weite Ärmel aufkrepeln oder zusammenbinden und die Krawatte ablegen.
- 6 - Vor dem Einschalten der Bohrmaschine überprüfen, ob der Bohrer richtig befestigt und der Anschlagring gesichert ist.
- 7 - Die Bohrmaschine vor unbeabsichtigtem Einschalten sichern. Vor dem Einstecken des Steckers in die Steckdose kontrollieren, ob sich der Schalter nicht in der Stellung „EIN“ befindet.
- 8 - Vor jeder Einstellung und jedem Werkzeugwechsel abwarten, bis die Bohrmaschine völlig zum Stillstand gekommen ist.

CMT900 – Ersatzteilleiste (siehe Seite 76)			
Pos. #	Beschreibung	Menge	Art.Nr.
1	Bohrschablone	1	CMT900-01
2	Befestigungsstift mit Spitze D6/10mm	4	CMT900-04
3	Zentrierstift D3/18mm	2	CMT900-13
4	Zentrierstift D5/18mm	2	CMT900-15
5	Zentrierstift D8/18mm	2	CMT900-18

CMT400-1 und CMT400-2 - Ersatzteilleiste (siehe Seite 78)			
Pos. #	Beschreibung	Menge	Art.Nr.
1	Zentrierbüchse mit Lagern für CMT400-1	1	CMT400-11
	Zentrierbüchse mit Lagern für CMT400-2	1	CMT400-21
2	Werkzeugkorn L125 für CMT400-1	1	CMT400-12
	Werkzeugdorn L140 für CMT400-2	1	CMT400-22
3	Anschlagring Ø9/17x6mm	1	CMT400-13
4	Feder Ø10/12x65mm	1	CMT400-14
5-6	Befestigungsschraube STEI M4x4mm	2	990.016.00
7	Inbusschlüssel 2mm	1	991.060.00
8	Zentrierstift D5mm für CMT400-2	1	CMT900-15
9	Zentrierstift D7mm für CMT400-2	1	CMT900-17



© 2007 C.M.T UTENSILI S.P.A.

03.60.0230

This document has been sent for your personal use only. All usage and reproduction is forbidden without written permission from C.M.T. UTENSILI S.P.A.

Este documento ha sido realizado solo para uso personal. Se prohíbe todo tipo de uso o reproducción sin la autorización escrita de C.M.T. UTENSILI S.P.A.

Document envoyé seulement pour usage personnel. Toute utilisation ou reproduction est interdite sans l'autorisation écrite de C.M.T. UTENSILI S.P.A.

Questo documento è stato inviato solo per uso personale. Qualsiasi uso o riproduzione è proibito senza il permesso scritto di C.M.T. UTENSILI S.P.A.

Dieses Dokument dient nur dem persönlichen Gebrauch. Jegliche Nutzung oder Vervielfältigung ist ohneschriftliche Erlaubnis der Firma C.M.T. UTENSILI S.P.A. untersagt.

Printed in Italy

Impreso in Italia

Imprimé en Italie

Stampato in Italia

Gedruckt in Italien