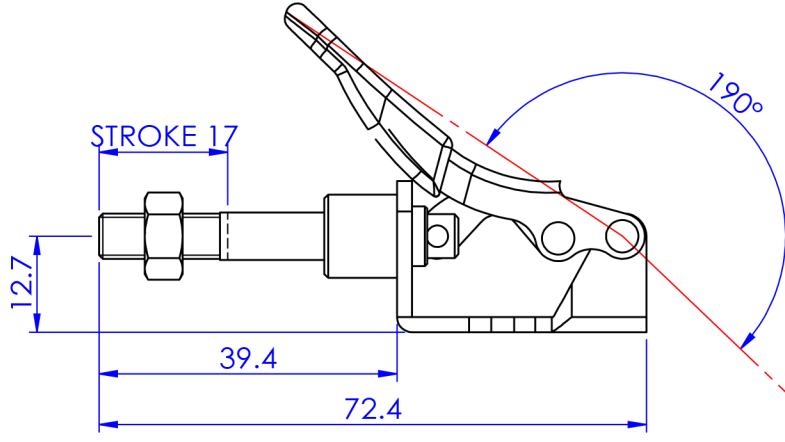
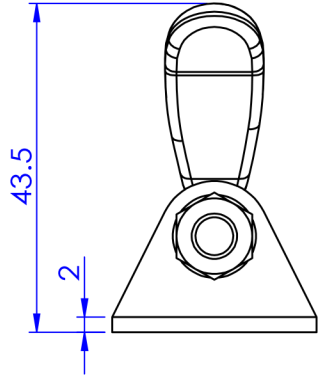
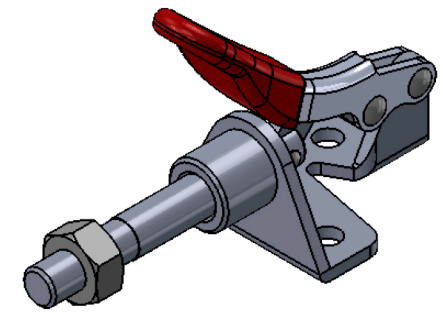
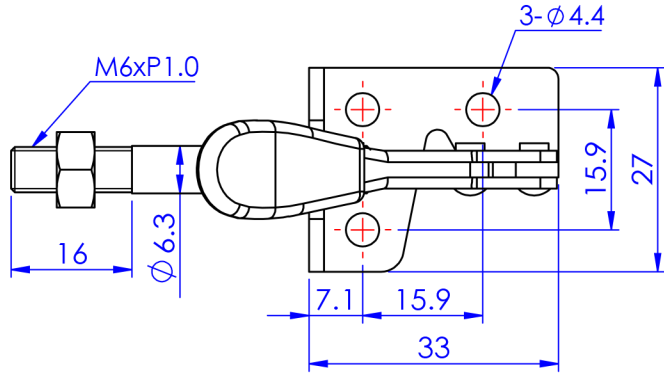


Part No:	GH-301-BM
Holding Capacity:	45Kg
Plunger Stroke:	17 mm
Handle Opens:	190°
Weight:	0.04Kg



Unit:mm
Scale: 1:1

TITLE:	
DWG NO.	GH-301-BM
A4	