

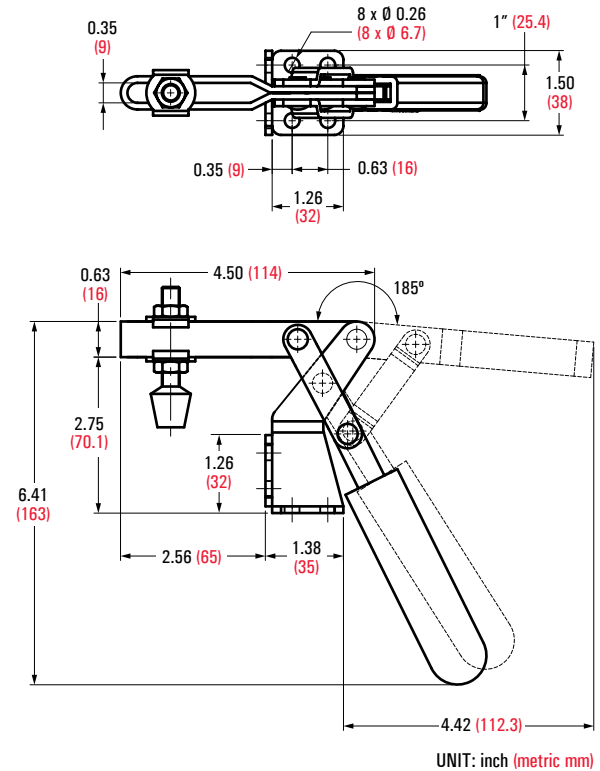
## 20820

- Cross Ref.: DE-STA-CO Model 317-U
- Holding Capacity: 220 lbs. (100 kg)
- Weight: 0.88 lb. (400 g)
- Bar opens: 185°, Handle 60°
- Spindle Supplied: GH-FC-56212

Mount vertically and horizontally

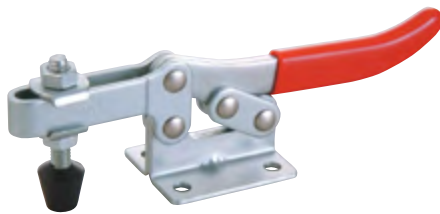


GH-20820

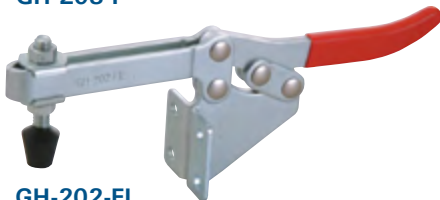


## Series 203-F & 202-F

- Holding Capacity: 500 lbs. (227 kg)
- Bar opens: 85°, Handle 58°
- Spindle Supplied: GH-FC-56212



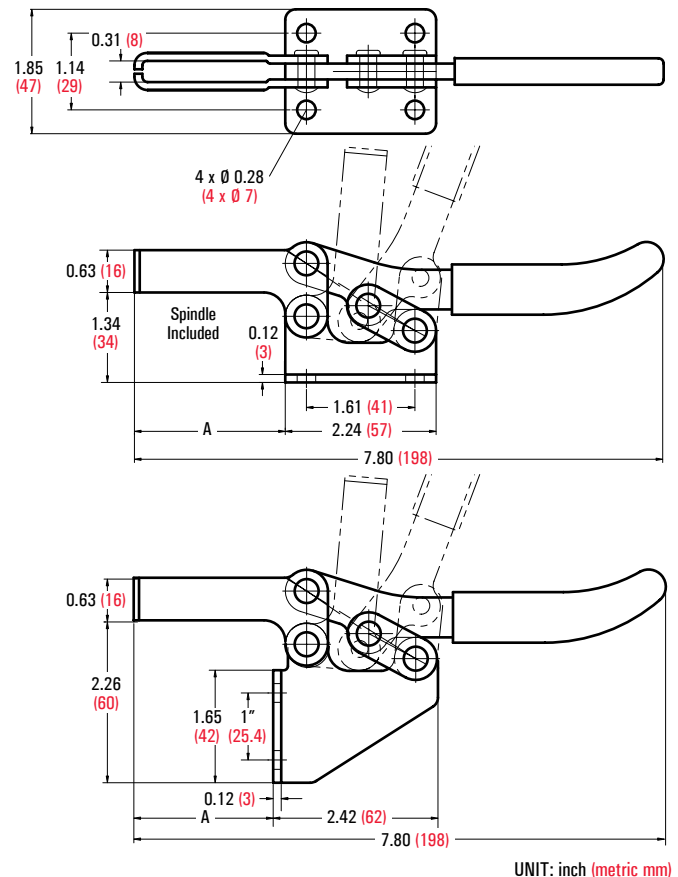
GH-203-F



GH-202-FL

Model	Description	A	Weight
GH-203-F	U-Bar, Flanged Base	2.24 (57)	0.75 lb. (340 g)
GH-203-FL	Long U-Bar, Flanged Base	3.70 (94)	0.84 lb. (380 g)
GH-202-F	U-Bar, Side Mounted	2.05 (52)	0.85 lb. (385 g)
GH-202-FL	Long U-Bar, Side Mounted	3.50 (89)	0.94 lb. (425 g)

UNIT: inch (metric mm)



UNIT: inch (metric mm)