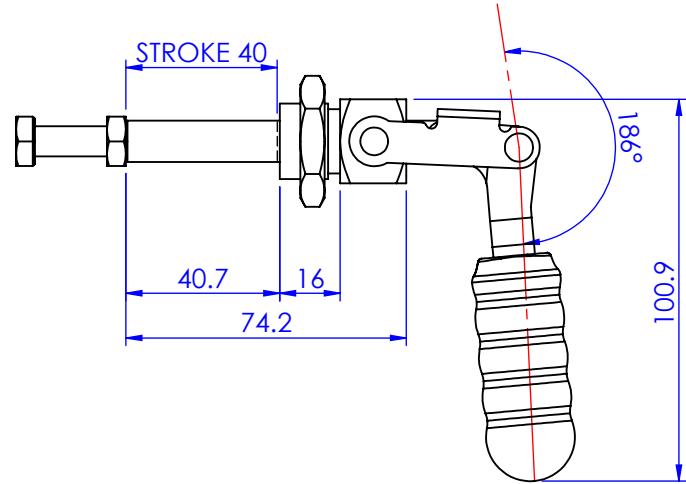
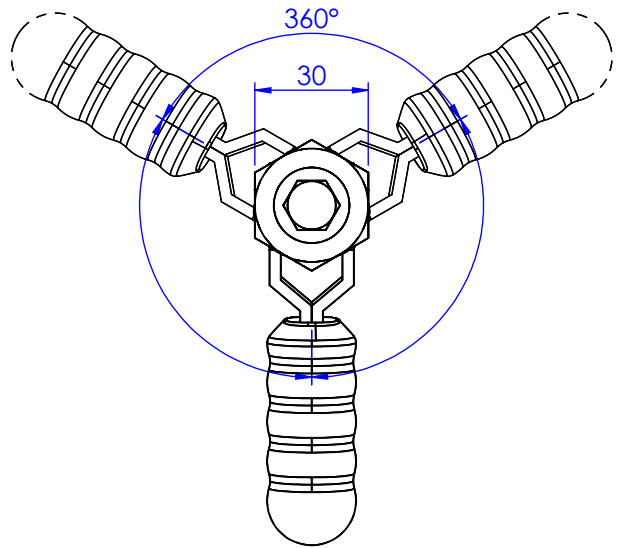
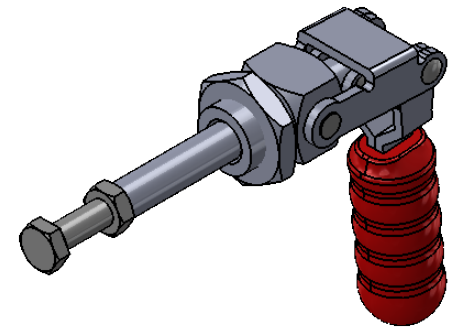
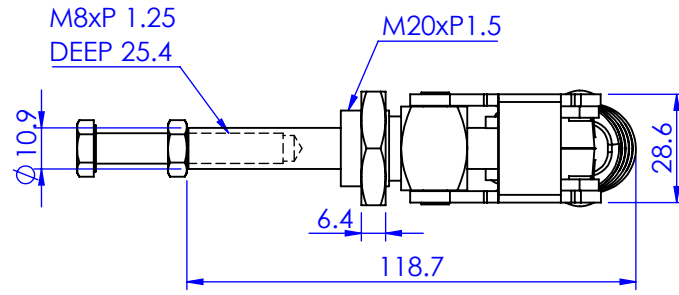


Part No:	GH-36204M
Holding Capacity:	136Kg
Plunger Stroke:	40mm
Handle Opens:	186°
Weight:	0.28Kg
Spindle Supplied:	SA-085012
Optional Bracket:	GH-36205



Unit:mm  
Scale: 1:2

 **Good Hand Enterprise Co., Ltd**

TITLE:		
DWG NO.	GH-36204M	A4