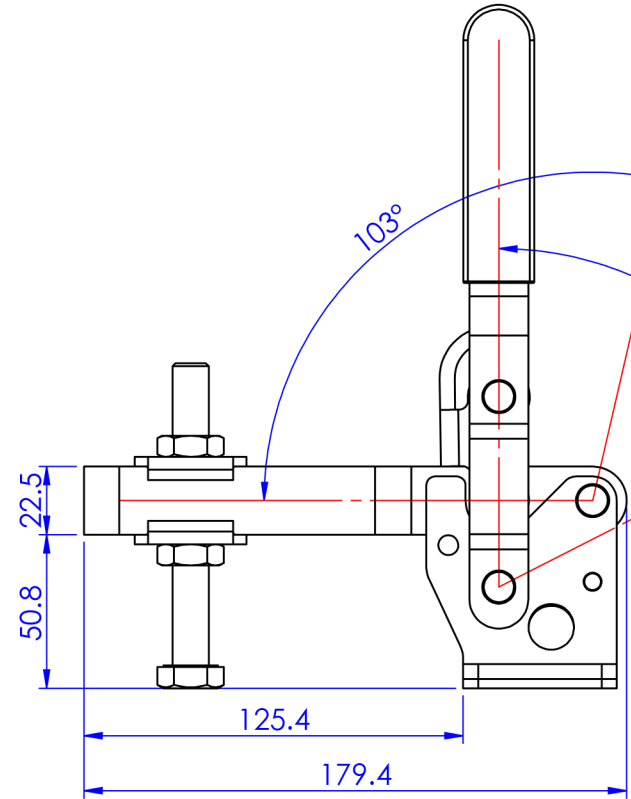
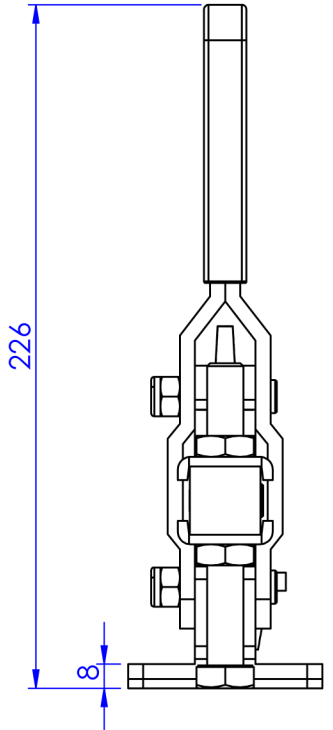
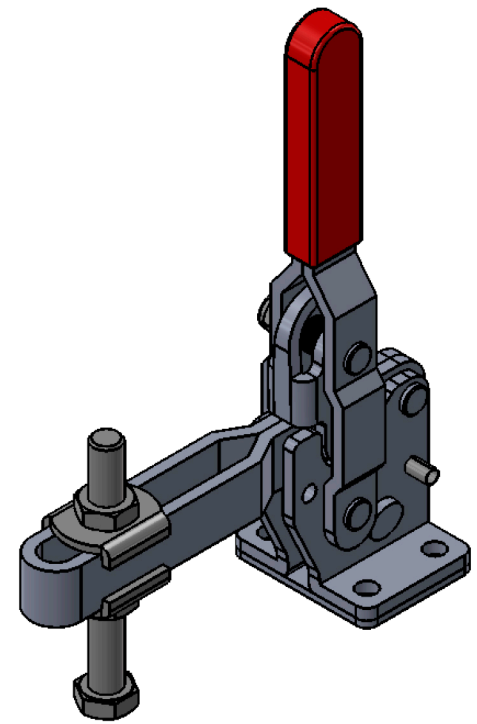
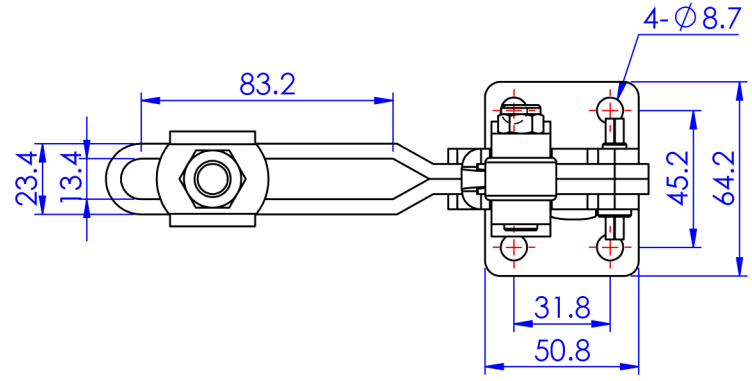


Part No:	GH-10247
Holding Capacity:	450Kg
Bar Opens:	103° / 135°
Handle Opens:	63° / 73°
Weight:	1.333Kg
Spindle Supplied:	SA-121017
Flanged Washers:	FW-120



Unit:mm
Scale: 1:2.5

TITLE:	
DWG NO.	GH-10247
A4	