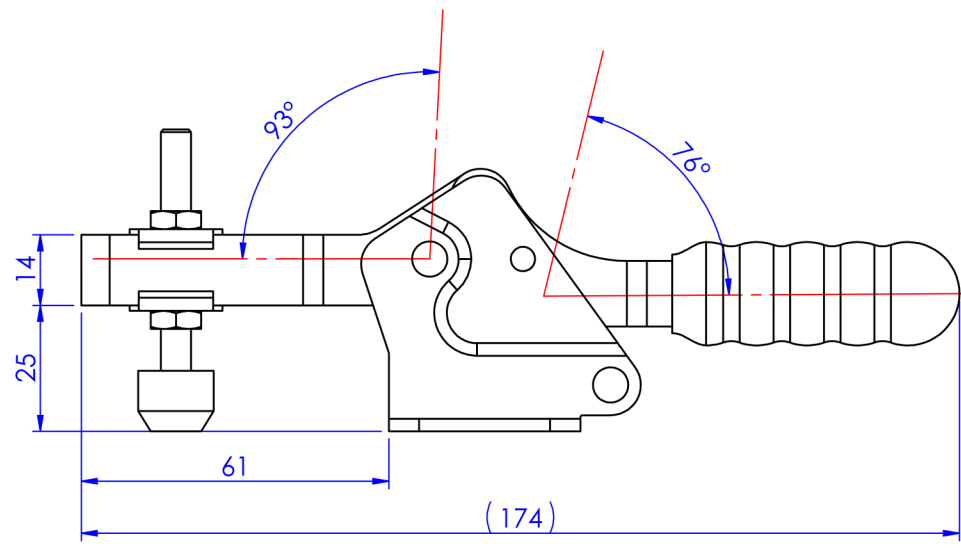
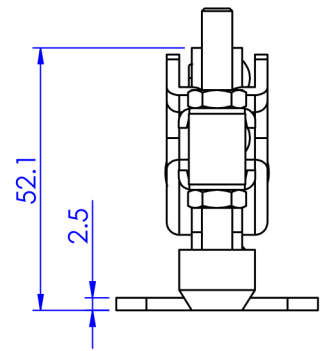
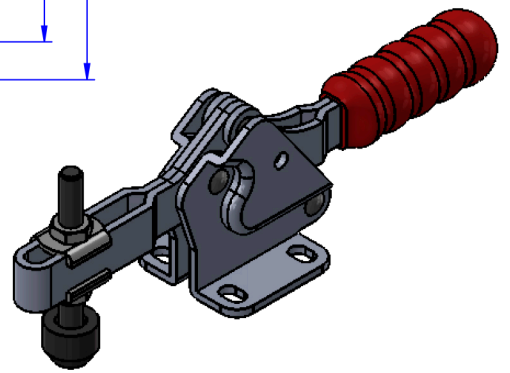
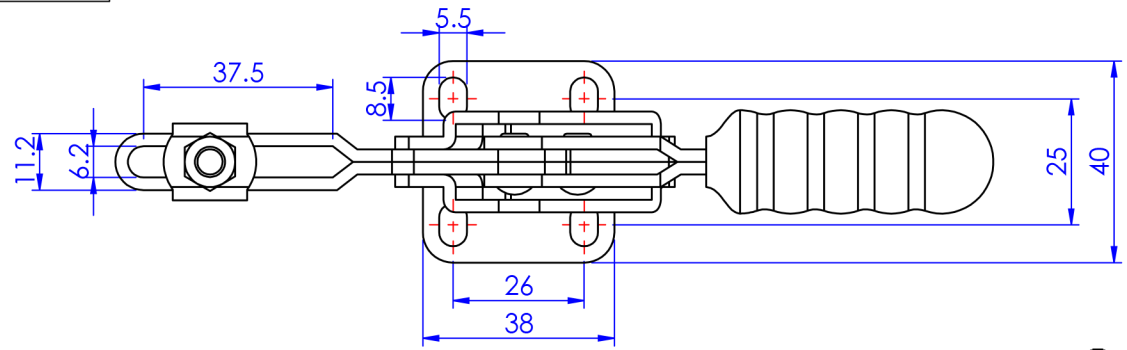


Part No:	GH-21502-B
Holding Capacity:	150Kg
Bar Opens:	93°
Handle Opens:	76°
Weight:	0.25Kg
Spindle Supplied:	SA-065010+NC-06
Flanged Washers:	FW-140



Unit:mm
Scale: 1:1.5

TITLE:	
DWG NO.	GH-21502-B
A4	